

QUOTE FORM

Quote #: _____

Dealer: _____

Contact: _____ Date: _____ Time: _____

Phone #: _____ Fax #: _____

Job Reference: _____ Sales Person: _____

Address: _____

City, State, Zip: _____



401 Delaware, Quincy, IL 62301
 800.521.2665 217.228.2421
 Fax: 217.228.2424
 www.uscooler.com

Door Quote Form

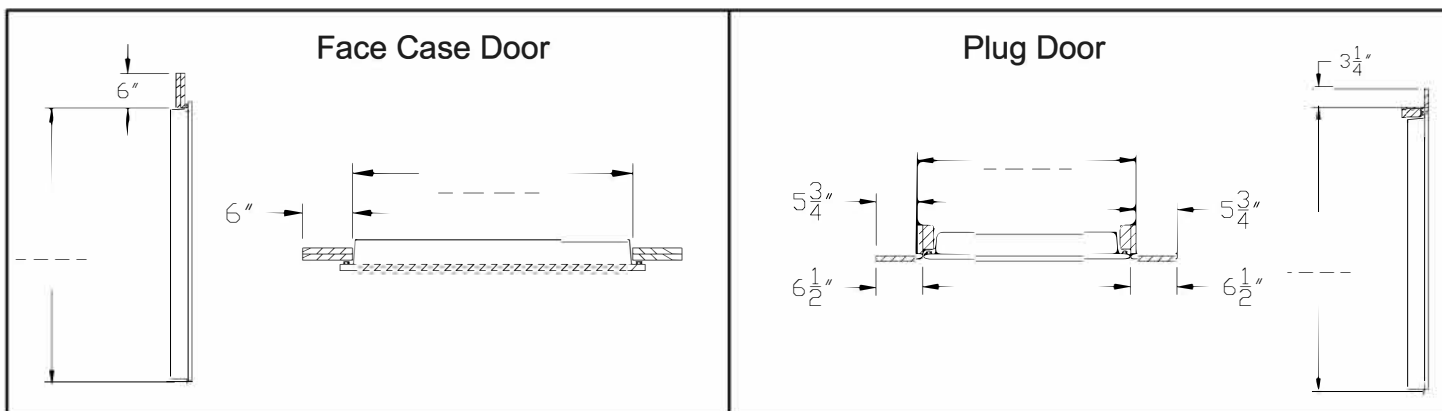
Door Style (circle one): Face Case Plug **Type** (circle one): Cooler Freezer

Rough Opening: _____ Wide X _____ High

Door Location: Indoor or Outdoor

Is door in Conditioned Space? Yes No What is the exterior temperature of door? _____

Indicate rough opening height and width on dotted lines below.



Door Specifications

Hinge (circle one): Right Left

Floor (circle one): No Floor Floor

Recessed Floor (circle one): Yes / No

Existing Floor Tile (circle one): Yes / No If yes, height: _____

Door Frame (circle one): 3 sided 4 sided *

Door Finish Select an Interior and Exterior metal option.

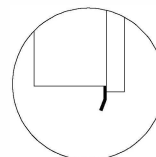
Metal Type Interior Exterior

Galvanized	_____	_____
Galvalume	_____	_____
White Galvanized	_____	_____
Tan Galvanized	_____	_____
Black Galvanized	_____	_____
Stainless Steel	_____	_____

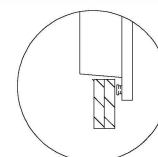
View Window (circle one): 14" x 14" 14" x 24"

*Option only available on Face Case Door.

Please circle one:



Sweep



Sill *

Sill Height: _____

Options Please circle any additional options.

Spring Hinge Door Closure
 Interior Kick Plate Exterior Kick Plate

Additional Notes: _____