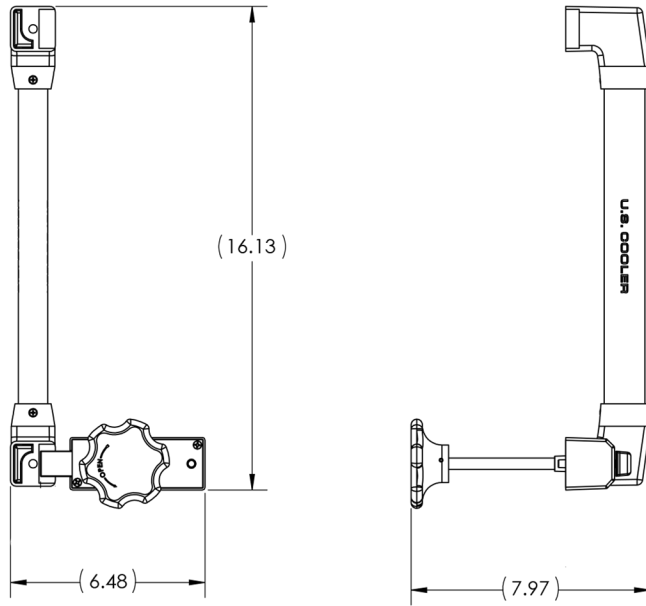





VERT-ERGO HANDLE AND LATCH ASSEMBLY - 10214



FEATURES:

- Stand-alone handle option including optional external mount lock mechanism.
- Ergonomic behavior-friendly design.
- Heavy-duty commercial design.
- Vertical Design provides increased leverage for easier opening.
- Rugged-durable finish with cosmetic superiority.
-  Approved

OPEN AND CLOSED LATCH

CLOSED CONFIGURATION

OPEN CONFIGURATION

