

**STANDARD FLUSH MOUNT
PLUG DOOR WITH FRAME**

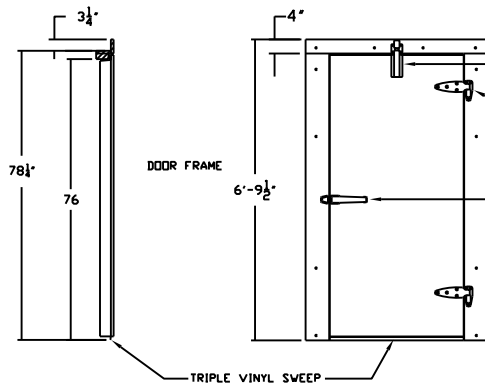
STANDARD DOOR SIZE = 34"Wx76"H
OTHERS AVAILABLE UP TO 60"Wx94"H
ROUGH OPENING = 38 3/4" x 78 5/8"

FINISH:
26GA. STUCCO GALVALUME STEEL,
PAINTED WHITE, BLACK OR TAN,
OR 24GA STAINLESS STEEL

INSULATION: URETHANE
HINGE DIRECTION: RIGHT OR LEFT
HEATER WIRE INCLUDED IN FREEZER APPLICATIONS.

FRAME IS OVERLAP
DOOR IS FLUSH MOUNT
SPRING LOADED DOOR CLOSURE
SPRING LOADED HINGE (TOP)
CAMLIFT HINGE (BOTTOM)
PLUG DOOR HANDLE
W/SAFETY RELEASE
ACCEPTS PADLOCK
BRUSHED CHROME OR CHROME
FINISH

TRIM: 2"x2" ANGLE WITH HEMMED EDGES
(2) 80 5/8" L, (1) 42 3/4" L



**STANDARD OVERLAP PLUG DOOR
WITH FACE CASE FRAME**

STANDARD DOOR SIZE = 34"Wx76"H
OTHERS AVAILABLE UP TO 60"Wx94"H
ROUGH OPENING = 34" X 76"

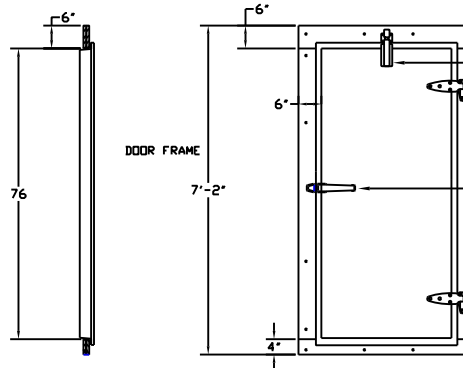
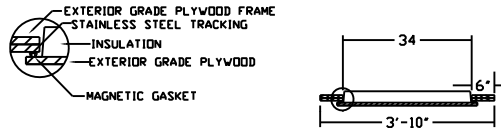
FINISH:
26GA. STUCCO GALVALUME STEEL,
PAINTED WHITE, BLACK OR TAN,
OR 24GA STAINLESS STEEL

INSULATION: URETHANE

HINGE DIRECTION: RIGHT OR LEFT

HEATER WIRE INCLUDED IN FREEZER APPLICATIONS.
SPRING LOADED DOOR CLOSURE
CAMLIFT HINGES
2 PER STANDARD
DOOR
CHROME FINISH

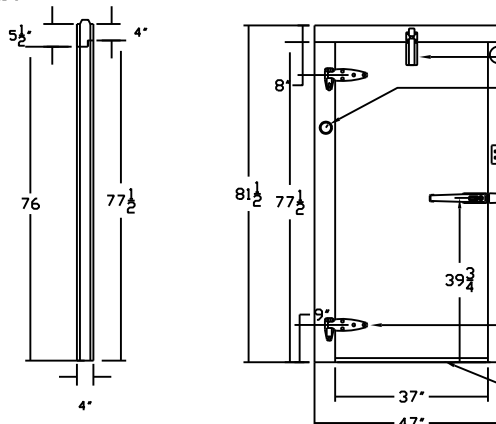
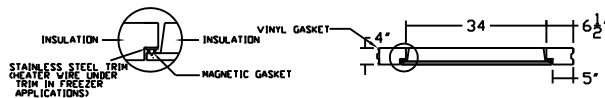
PLUG DOOR HANDLE
W/SAFETY RELEASE
ACCEPTS PADLOCK
CHROME FINISH
4" SILL (TRIPLE VINYL
SWEEP INCLUDED IN
FLOORLESS APPLICATION)



STANDARD DOOR: 34"x76"

FINISH:
EXTERIOR: 26GA. STUCCO GALVALUME
INTERIOR: 26GA. STUCCO GALVALUME
INSULATION: URETHANE

HINGE: LEFT



SIDE ELEVATION

FRONT ELEVATION
EXTERIOR VIEW