

# QUOTE FORM

Quote #: \_\_\_\_\_

Dealer: \_\_\_\_\_

Contact: \_\_\_\_\_ Date: \_\_\_\_\_ Time: \_\_\_\_\_

Phone #: \_\_\_\_\_ Fax #: \_\_\_\_\_

Job Reference: \_\_\_\_\_ Sales Person: \_\_\_\_\_

Address: \_\_\_\_\_

City, State, Zip: \_\_\_\_\_



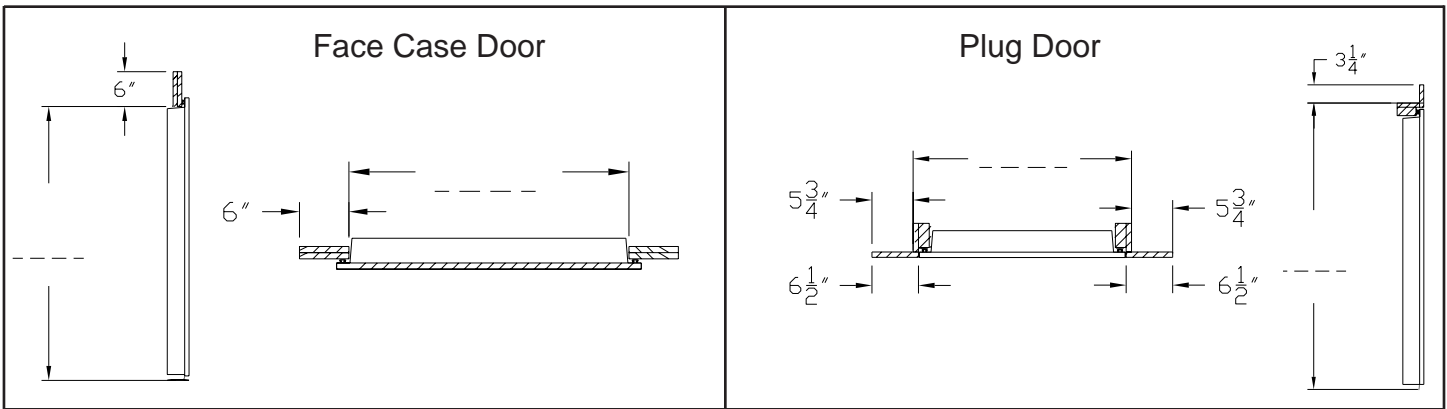
401 Delaware, Quincy, IL 62301  
 800.521.2665 217.228.2421  
 Fax: 217.228.2424  
 www.uscooler.com

## Door Quote Form

**Door Style** (circle one):    Face Case    Plug       **Type** (circle one):    Cooler    Freezer

**Rough Opening:** \_\_\_\_\_ Wide    X    \_\_\_\_\_ High

Indicate rough opening height and width on dotted lines below.



### Door Specifications

**Hinge** (circle one):    Right    Left

**Floor** (circle one):    No Floor    Floor

Recessed Floor (circle one): Yes / No

Existing Floor Tile (circle one): Yes / No    If yes, height: \_\_\_\_\_

**Door Frame** (circle one): 3 sided    4 sided \*

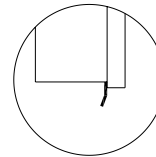
**Door Finish**    Select an Interior and Exterior metal option.

Metal Type	Interior	Exterior
Galvanized	_____	_____
Galvalume	_____	_____
White Galvanized	_____	_____
Tan Galvanized	_____	_____
Black Galvanized	_____	_____
Stainless Steel	_____	_____

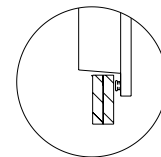
**View Window** (circle one):  
 14" x 14"    14" x 24"

\*Option only available on Face Case Door.

Please circle one:



Sweep



Sill \*

Sill Height: \_\_\_\_\_

**Options**    Please circle any additional options.

Spring Hinge    Door Closure  
 Interior Kick Plate    Exterior Kick Plate

Additional Notes: \_\_\_\_\_