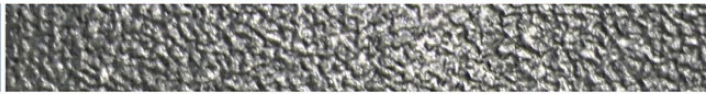




EMPOWERING YOU >



**WALK-IN COOLERS AND FREEZERS**

U.S. Cooler manufactures all sizes of walk-in coolers and freezers for the Food Service, Restaurant, Grocery Store, Institutional and Convenience Store Markets. These walk-ins are supported with a complete line of engineered refrigeration systems, glass doors, parts and accessories.

## WHAT MAKES US DIFFERENT

U.S. Cooler continues to invest in the latest technology for both product materials and production facilities in order to provide our clients with the most efficient, cost-effective cooling systems in the market today. In addition to state of the art production facilities with automated systems and a variety of online services, we also have the manufacturing capability of providing two unique insulation options: extruded polystyrene and foamed-in-place polyurethane. With U.S. Cooler, you choose your insulation options and receive U.S. Cooler's exceptional quality and service.

### IT'S YOUR CHOICE

U.S. Cooler empowers you to decide the specifications and design of your walk-in cooler or freezer. Our unique manufacturing capabilities not only allows you to choose the material and color of metal finish, but also allows you to select the insulation material that you desire.

U.S. Cooler uses two different manufacturing techniques while most other walk-in manufacturers only offer one. By only offering one manufacturing process, the choice becomes theirs; not yours. U.S. Cooler believes the choice should be yours.

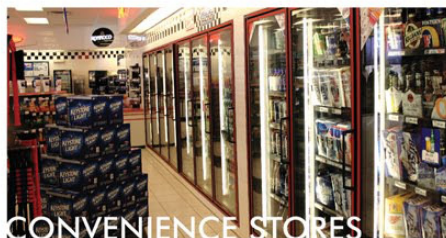
**U.S. Cooler empowers you to create your own walk-in cooler or freezer. From the insulation to the size of your walk-in, it's your choice. >**

U.S. Cooler manufactures walk-in coolers and freezers with extruded polystyrene, foamed-in-place polyurethane, and expanded polystyrene insulation. From choosing the insulation, the metal, and the size and shape of your walk-in; the choice is yours.

## APPLICATIONS



U.S. Cooler recognizes the need for quick delivery and custom designs for restaurant applications. With a wealth of experience in providing cold-storage to single restaurants and restaurant chains, U.S. Cooler knows what is important to restaurant owners and operators.



We have extensive experience designing walk-ins for convenience store applications. With custom designed angled boxes, glass doors, display shelving and much more, U.S. Cooler is the place to go to purchase a walk-in for your convenience store application.



U.S. Cooler has provided solutions for large grocery stores familiar with the needs of these orders. With the accessories available, we provide for your application whatever the application.



# CUSTOMER SERVICE

Though technology is vital to U.S. Cooler's innovative philosophy, we have not lost our personal touch. While most companies use computerized phone voices that direct you to a list of options that you are not interested in, U.S. Cooler does not. Instead, there is a real person to answer your call and direct you to a professional, knowledgeable, staff member.

U.S. Cooler's sales and customer service representatives have years of experience with our company, walk-in design, production, sales and service. Our professional, highly trained staff assures our customers' quality customer service that other companies lack. We believe in and support our product, therefore offering exceptional post-sale customer service.

From the initial quote request through product delivery, there is a U.S. Cooler company representative ready and willing to help with your every walk-in cooler or freezer need.

**U.S. Cooler prides itself on having real people answer the phone and direct you quickly to someone who can help you. >**

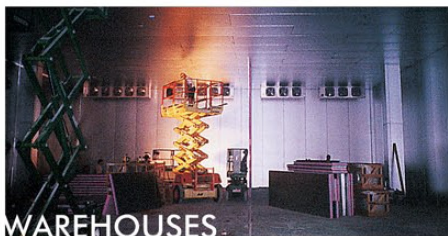
Time is money and U.S. Cooler recognizes that. We work to ensure quick delivery to all customers, regardless of their application. We also provide a variety of online services to help save you time and get information at the click of a mouse. You can view in-plant pictures of your product, create a drawing, submit quotes, check order status, and receive sizing recommendations, all by just visiting our web site at [www.uscooler.com](http://www.uscooler.com).



To promote a quality product, U.S. Cooler pre-assembles each walk-in in our plant, for a thorough inspection before shipment. We know that you count on us, and we take every step possible to make sure that we fulfill your expectations.

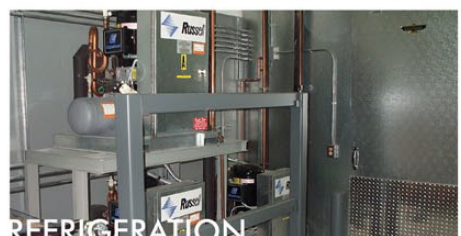


produced many walk-ins for grocery store chains, so we are able to meet the needs that accompany a full line of walk-in applications. U.S. Cooler can provide solutions for grocery store needs, including walk-in refrigeration.



**WAREHOUSES**

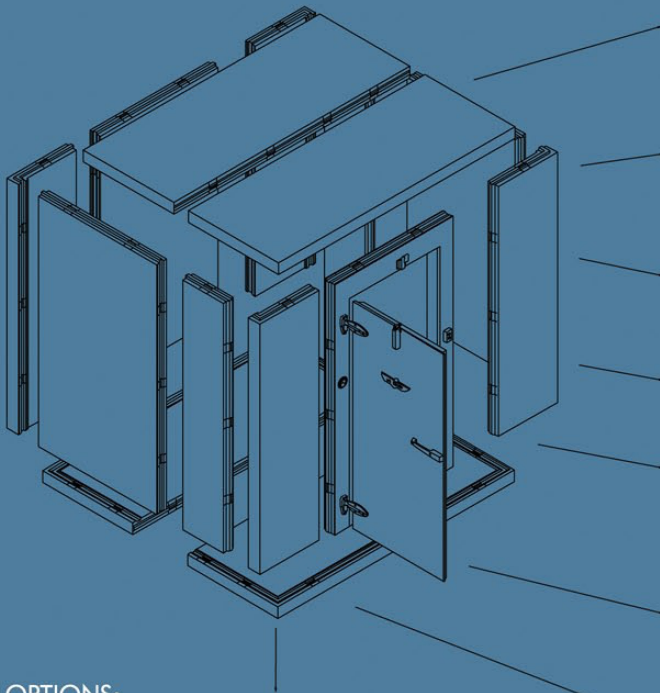
Our light-weight, easy-to-assemble, cold storage warehouse applications have internal and external supports to ensure maximum strength and stability. We also provide sliding doors and large walk-through doors to accommodate personnel and equipment.



**REFRIGERATION**

U.S. Cooler specifically designs and engineers the refrigeration systems after analyzing over 100 design and application factors. This helps ensure that, whatever the cold storage application, you can be sure that your cooler or freezer will maintain consistent temperatures.

# GENERAL SPECIFICATIONS



## OPTIONS:

Rain roof, shelving, glass doors, lighting, strip curtains, viewing windows, alarms and more can be purchased through our sales department.

## CONSTRUCTION:

Modular panels are connected with cam lock connectors. All walls, ceilings and floor panels use no wood unless otherwise noted. All walk-ins are EISA compliant.

## INSULATION:

4" extruded polystyrene or 4" foamed-in-place polyurethane

## SKIN:

26 ga. galvanized, galvalume, painted or 24 ga. stainless steel

## FLOORS:

22 ga. stainless steel

## DOORS:

Self closing, flush mount with magnetic gasket; chrome latches and hinges; safety release handle. Automatic self closer, vapor proof light and thermometer.

## REFRIGERATION:

All sizes, remote, side mount, top mount, indoor, outdoor

## WARRANTY:

10 year panels, 1 year parts.

Specifications subject to change without notice. Item drawn may not be exactly as shipped.



401 Delaware, Quincy, Illinois 62301

800.521.2665 Fax 217.228.2424

[www.uscooler.com](http://www.uscooler.com)

