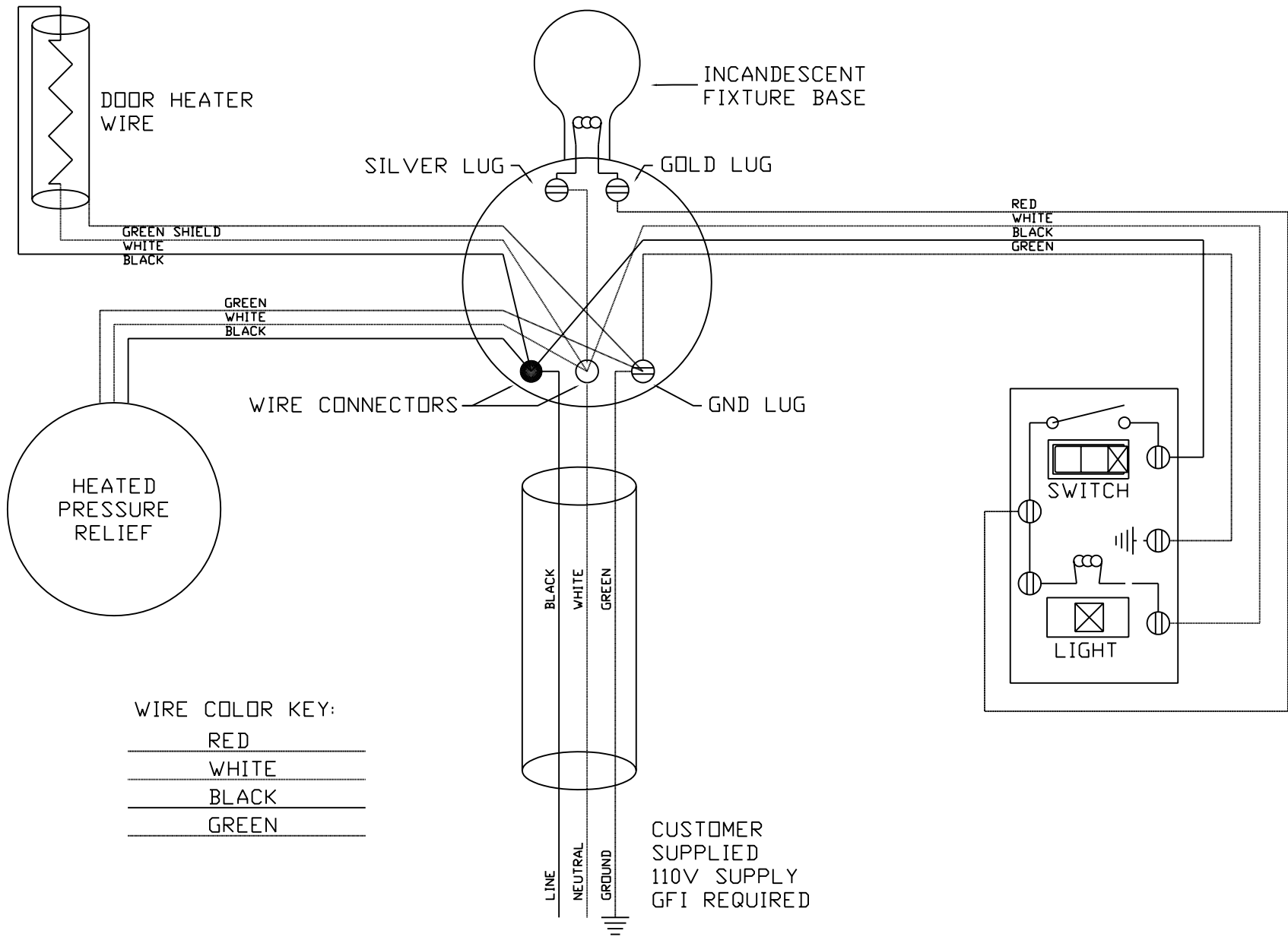


COOLER WIRING DIAGRAM



U.S. COOLER

401 DELAWARE ST. • QUINCY, IL 62301
 TEL 217-228-2421 • 800-521-2665
 FAX 217-228-2424 • www.uscooler.com



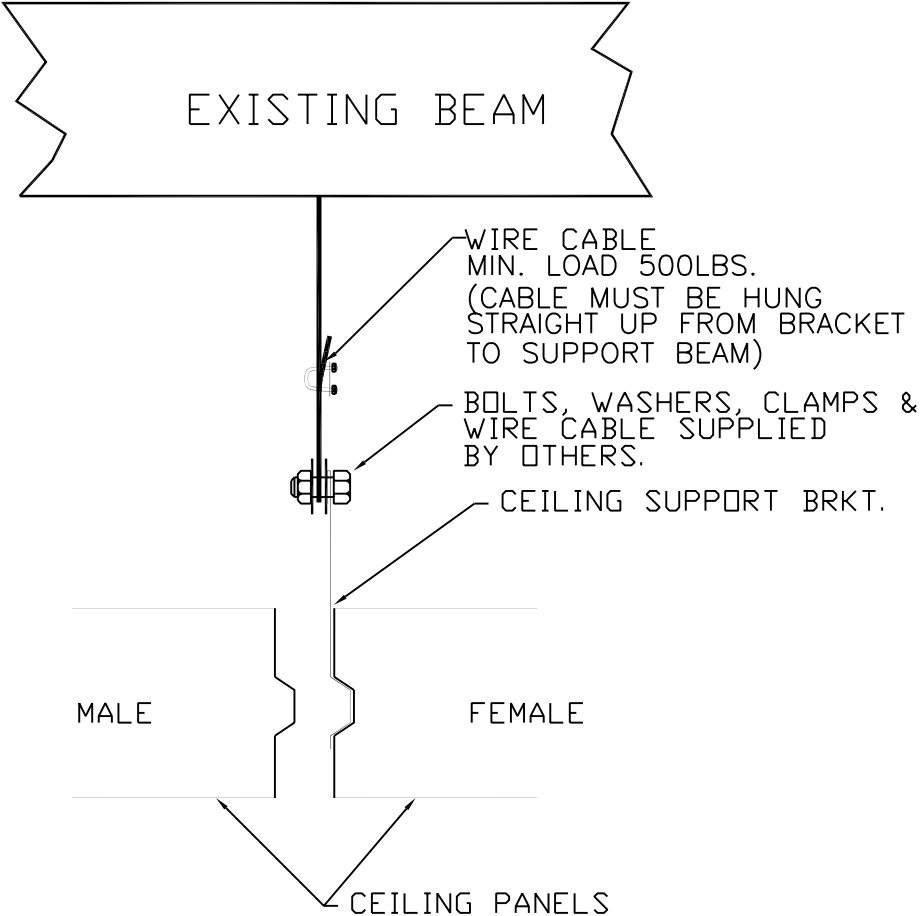
FREEZER WIRING DIAGRAM



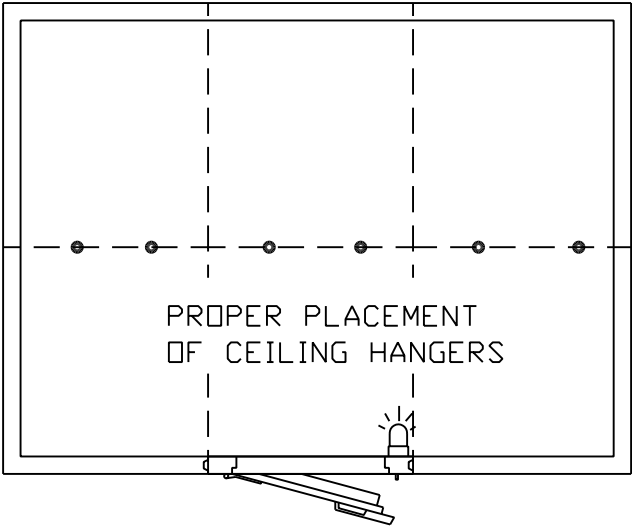
U.S. COOLER

401 DELAWARE ST. • QUINCY, IL 62301
 TEL 217-228-2421 • 800-521-2665
 FAX 217-228-2424 • www.uscooler.com

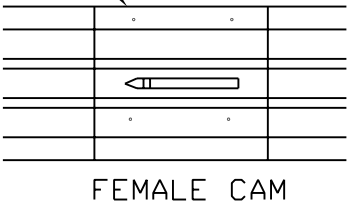
CEILING SUPPORT DETAIL



AFTER BRACKETS ARE RIVETED TO FEMALE CEILING CAMS AND CEILING IS LOCK IN PLACE AS INDICATED BY APPROVAL DRAWING, BRING MALE CEILING INTO PLACE (PER DRAWING) LINING THE SLOT OF THE BRACKET UP WITH THE FEMALE SLOT AND THE MALE LOCK.



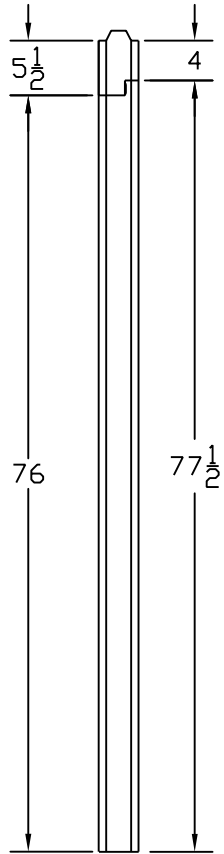
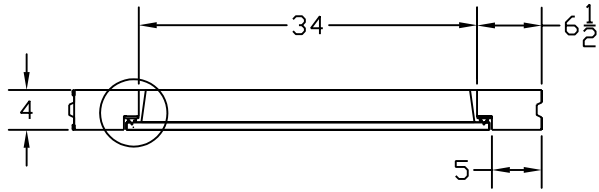
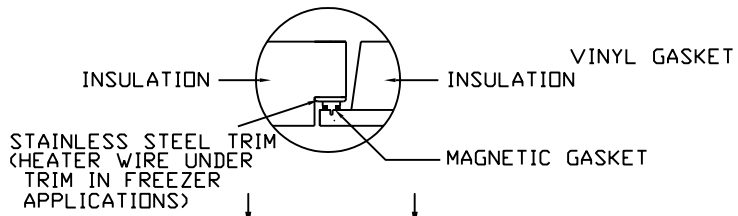
DRILL & RIVET CEILING SUPPORT BRACKET TO MALE OR FEMALE CAM AS SHOWN



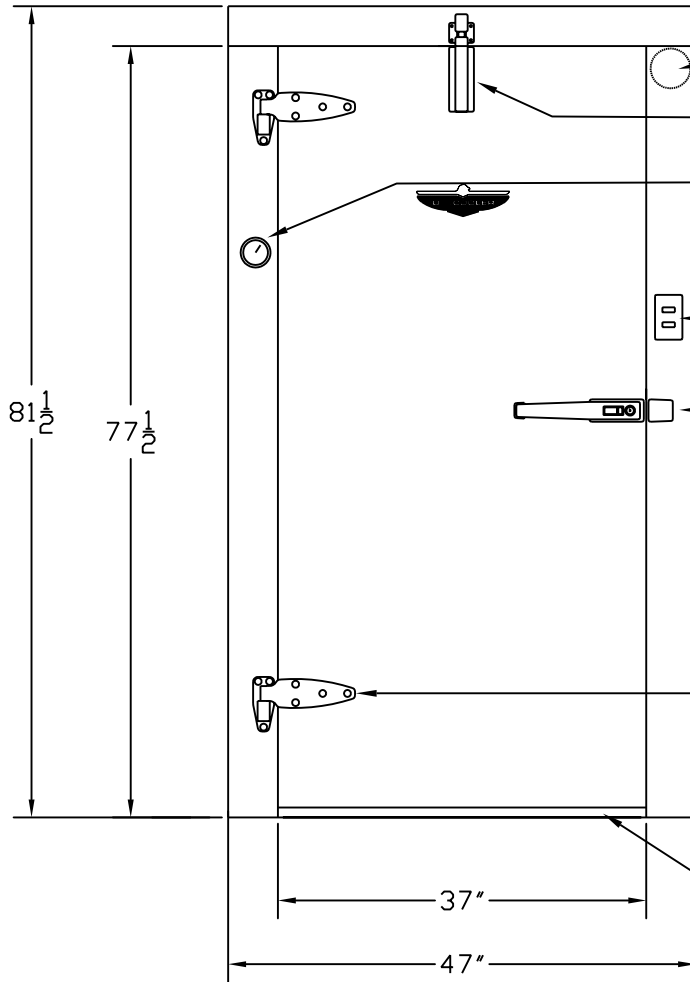
U.S. COOLER

401 DELAWARE ST. • QUINCY, IL 62301
TEL 217-228-2421 • 800-521-2665
FAX 217-228-2424 • www.uscooler.com

DOOR SECTION



SIDE ELEVATION



FRONT ELEVATION
EXTERIOR VIEW

STANDARD DOOR: 34"x76"

FINISH:
26GA. STUCCO GALVALUME STEEL,
GALVANIZED, PAINTED (WHITE OR TAN)
OR 24GA STAINLESS STEEL

INSULATION: FOAM IN PLACE

HINGE: LEFT

VAPOR PROOF LIGHT W/GLOBE
(INSIDE OF FRAME)

HYDRAULIC DOOR CLOSURE

DIAL THERMOMETER -40 TO 65 F.

LIGHT SWITCH PILOT LIGHT
W/ SS COVER

DOOR HANDLE
W/SAFETY RELEASE
KEYED/ACCEPTS
PADLOCK
BRUSHED CHROME
FINISH

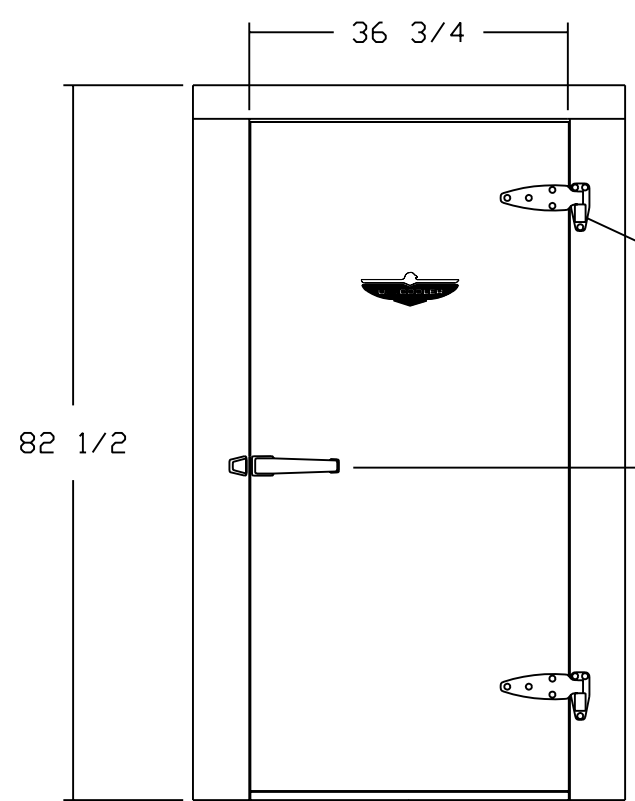
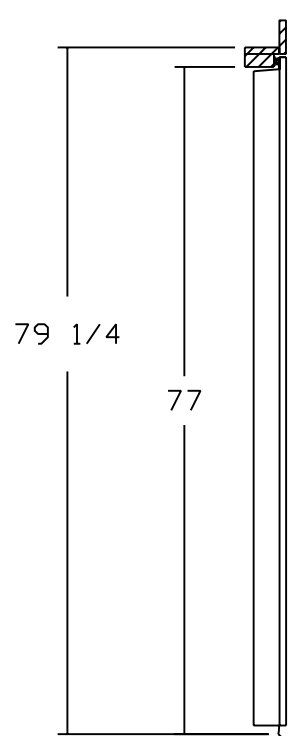
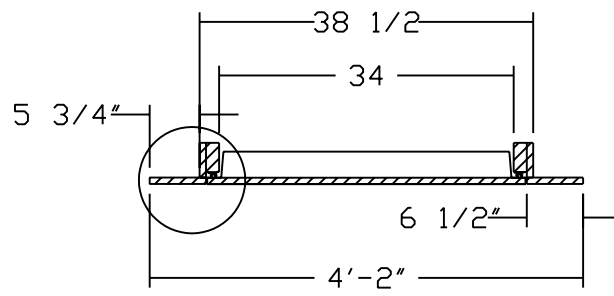
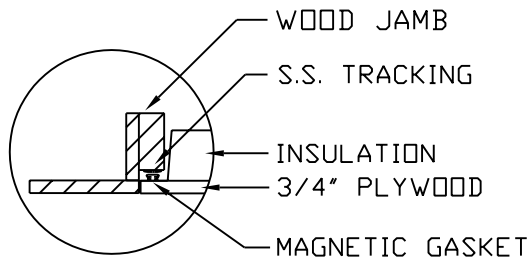
SPRING LOADED HINGE (TOP)
CAMLIFT HINGE (BOTTOM)

TRIPLE VINYL SWEEP



U.S. COOLER

401 DELAWARE ST. • QUINCY, IL 62301
TEL 217-228-2421 • 800-521-2665
FAX 217-228-2424 • www.uscooler.com



TRIPLE VINYL SWEEP

PLUG DOOR WITH FRAME

DOOR SIZE = 34" x 77"
 ROUGH OPENING = 38 3/4" x 79 5/8"
 DOOR THICKNESS = 3 13/16"

FINISH:
 26GA. STUCCO GALVALUME STEEL,
 GALVANIZED, PAINTED (WHITE OR TAN)
 OR 24GA STAINLESS STEEL

INSULATION:
 R-32 EXTRUDED
 HINGE DIRECTION:
 RIGHT

HEATER WIRE AND LAMP JUNCTION
 INCLUDED IN FREEZER APPLICATIONS.

FRAME IS OVERLAP
 DOOR IS FLUSH MOUNT

CAMLIFT HINGES
 BRUSHED CHROME
 FINISH
 2 PER STANDARD
 DOOR

PLUG DOOR HANDLE
 W/SAFETY RELEASE
 ACCEPTS PADLOCK
 BRUSHED CHROME
 FINISH

TRIM: 2"x2" ANGLE WITH HEMMED EDGES
 (2) 81 5/8"L, (1) 42 3/4"L



U.S. COOLER

401 DELAWARE ST. • QUINCY, IL 62301
 TEL 217-228-2421 • 800-521-2665
 FAX 217-228-2424 • www.uscooler.com

STANDARD OVERLAP PLUG DOOR WITH FACE CASE FRAME

STANDARD DOOR SIZE = 34"Wx76"H

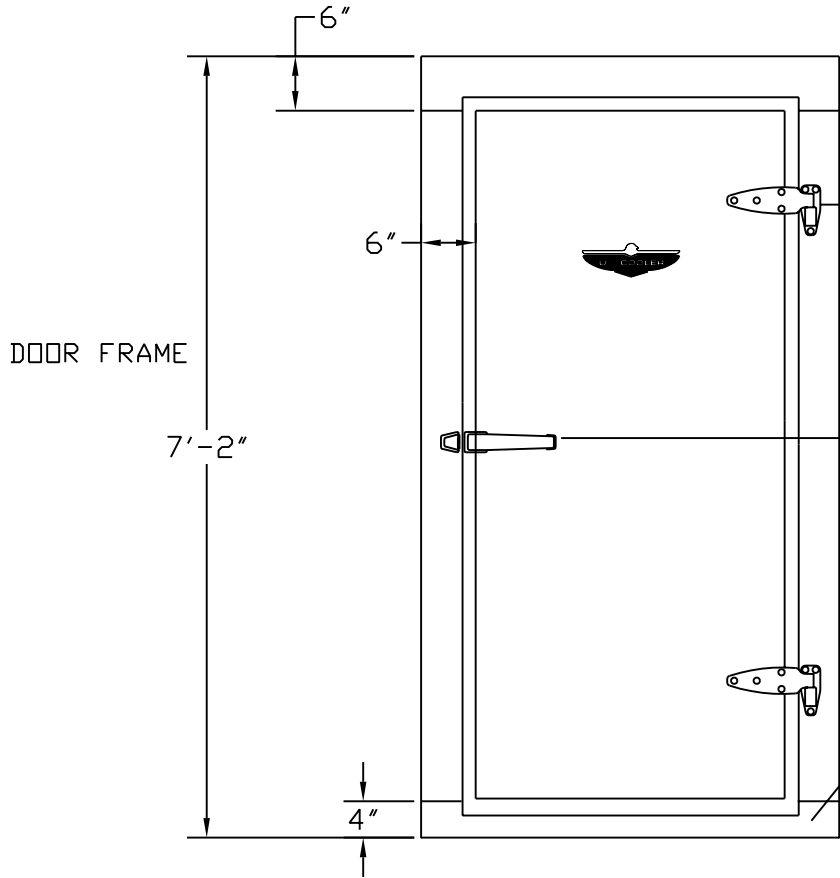
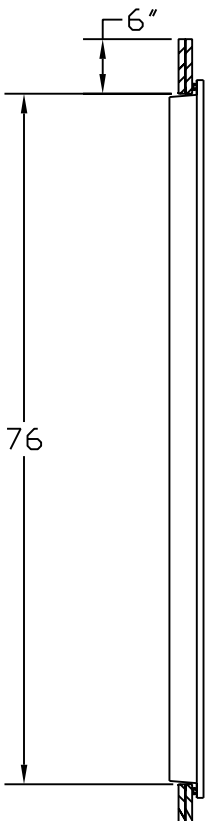
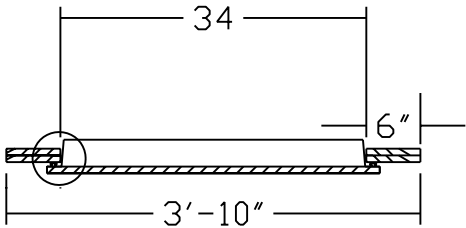
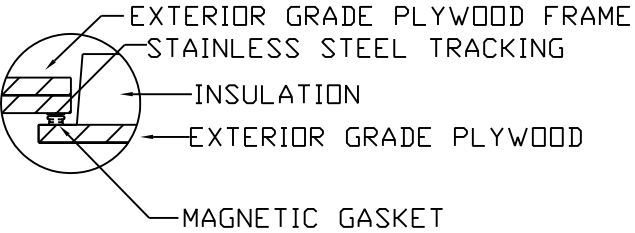
ROUGH OPENING = 34"x76"

FINISH:
26GA. STUCCO GALVALUME STEEL,
GALVANIZED, PAINTED (WHITE OR TAN)
OR 24GA STAINLESS STEEL

INSULATION:
R-32 EXTRUDED

HINGE DIRECTION:
RIGHT OR LEFT

HEATER WIRE
INCLUDED IN FREEZER APPLICATIONS.



CAMLIFT HINGES
2 PER STANDARD
DOOR
CHROME FINISH

PLUG DOOR HANDLE
W/SAFETY RELEASE
ACCEPTS PADLOCK
CHROME FINISH

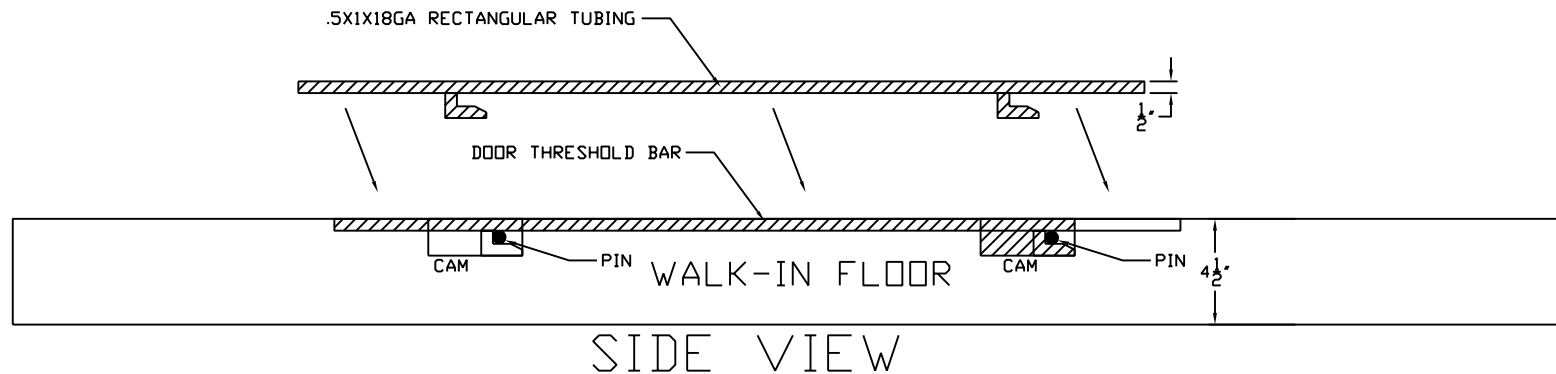
4" SILL (TRIPLE VINYL
SWEEP INCLUDED IN
FLOORLESS APPLICATION)



U.S. COOLER

401 DELAWARE ST. • QUINCY, IL 62301
TEL 217-228-2421 • 800-521-2665
FAX 217-228-2424 • www.uscooler.com

DOOR THRESHOLD BAR INSTALLATION INSTRUCTIONS



The door threshold bar must be installed in the floor panel where the door is to be located. With the hooks pointing in the same direction as the pins on the cam-locks in the floor, place the hooks of the threshold bar into the slots of the cams. Push the bar in the direction of the pin of the cam-lock until they contact. Gently tap the locking bar until it locks into the cams or quits moving. This movement is about 1 ½". The locking bar is now installed.

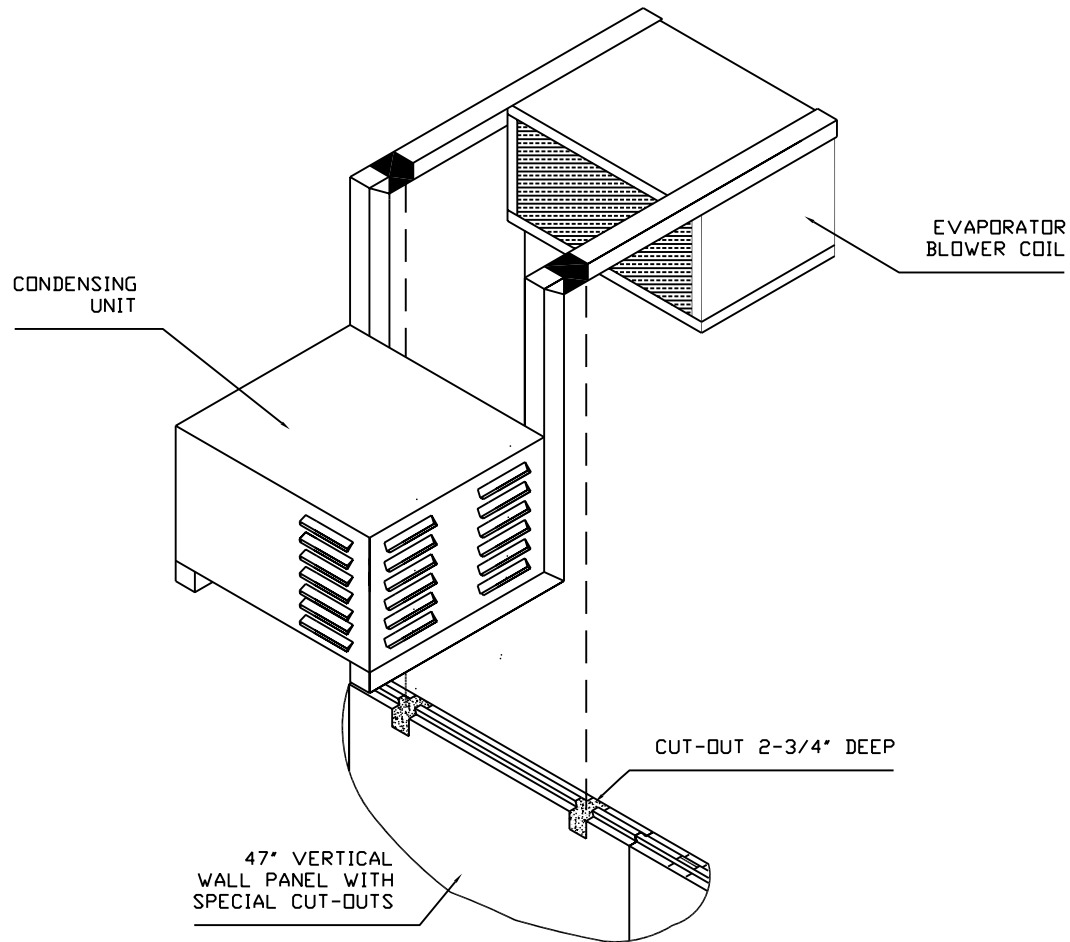
When the door is installed, screw the threshold down to the locking bar with the self-tapping screws provided in the install pack.



U.S. COOLER

401 DELAWARE ST. • QUINCY, IL 62301
TEL 217-228-2421 • 800-521-2665
FAX 217-228-2424 • www.uscooler.com

SADDLE MOUNT SELF-CONTAINED INSTALL DRAWING



PERSPECTIVE VIEW

NOTE: 24" OF CLEARANCE FROM EXISTING WALL IS REQUIRED FOR ACCESS ELECTRICAL JUNCTION BOX AND COMPRESSOR CONTROLS.

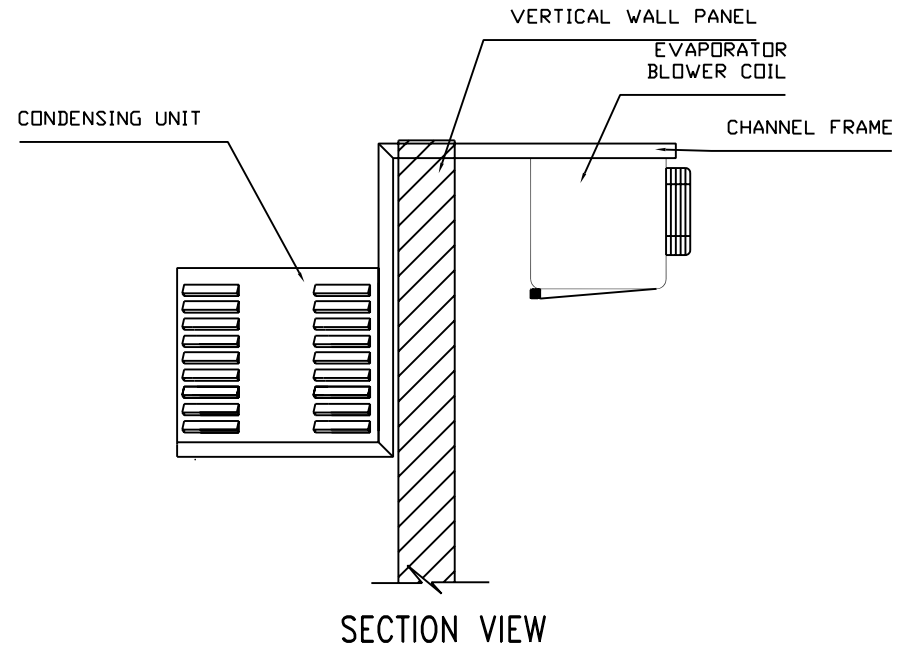


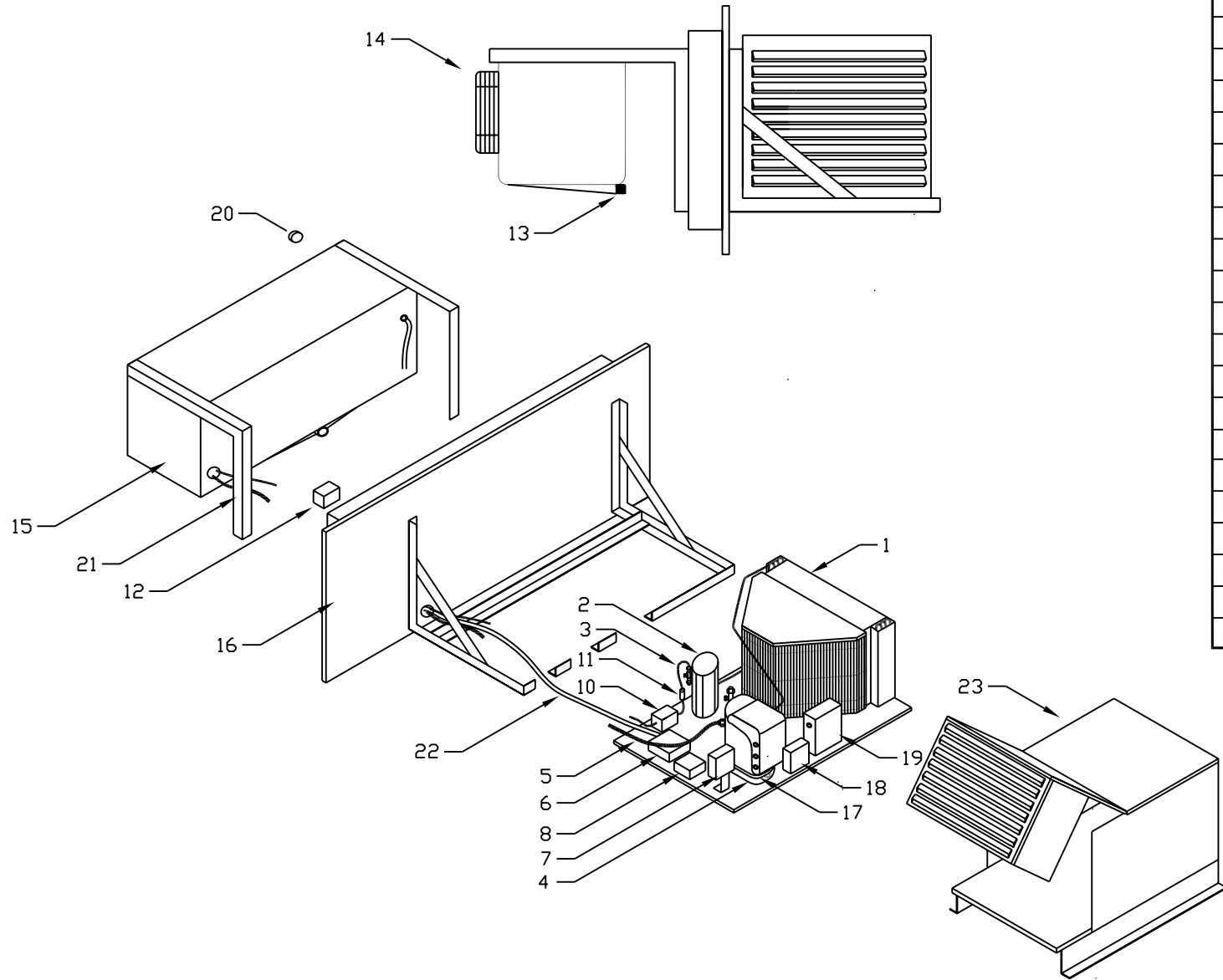
FIG. 1 INSTALLING SADDLE MOUNTED SYSTEMS



U.S. COOLER

401 DELAWARE ST. • QUINCY, IL 62301
TEL 217-228-2421 • 800-521-2665
FAX 217-228-2424 • www.uscooler.com

GENERAL ASSEMBLY FOR SIDE MOUNT SELF-CONTAINED



PARTS LIST	
#	PART
1	CONDENSOR
2	RECEIVER
3	LIQUID LINE
4	COMPRESSOR
5	SUCTION LINE
6	POWER INLET
7	PRESSURE CONTROL
8	TIMER - FRZ. ONLY
9	TEMPERATURE CONTROL
10	DRIER
11	SITE GLASS
12	SOLENOID VALVE
13	DRAIN OUTLET
14	FAN
15	EVAPORATOR
16	PLUG
17	CRANK CASE HEATER-OPTIONAL
18	FAN CYCLE CONTROL-OPTIONAL
19	START RELAY & CAPACITOR
20	THERMOSTAT
21	REFRIGERATION BRACKET
22	WIRING HARNESS
23	COMPRESSOR COVER-OPTIONAL

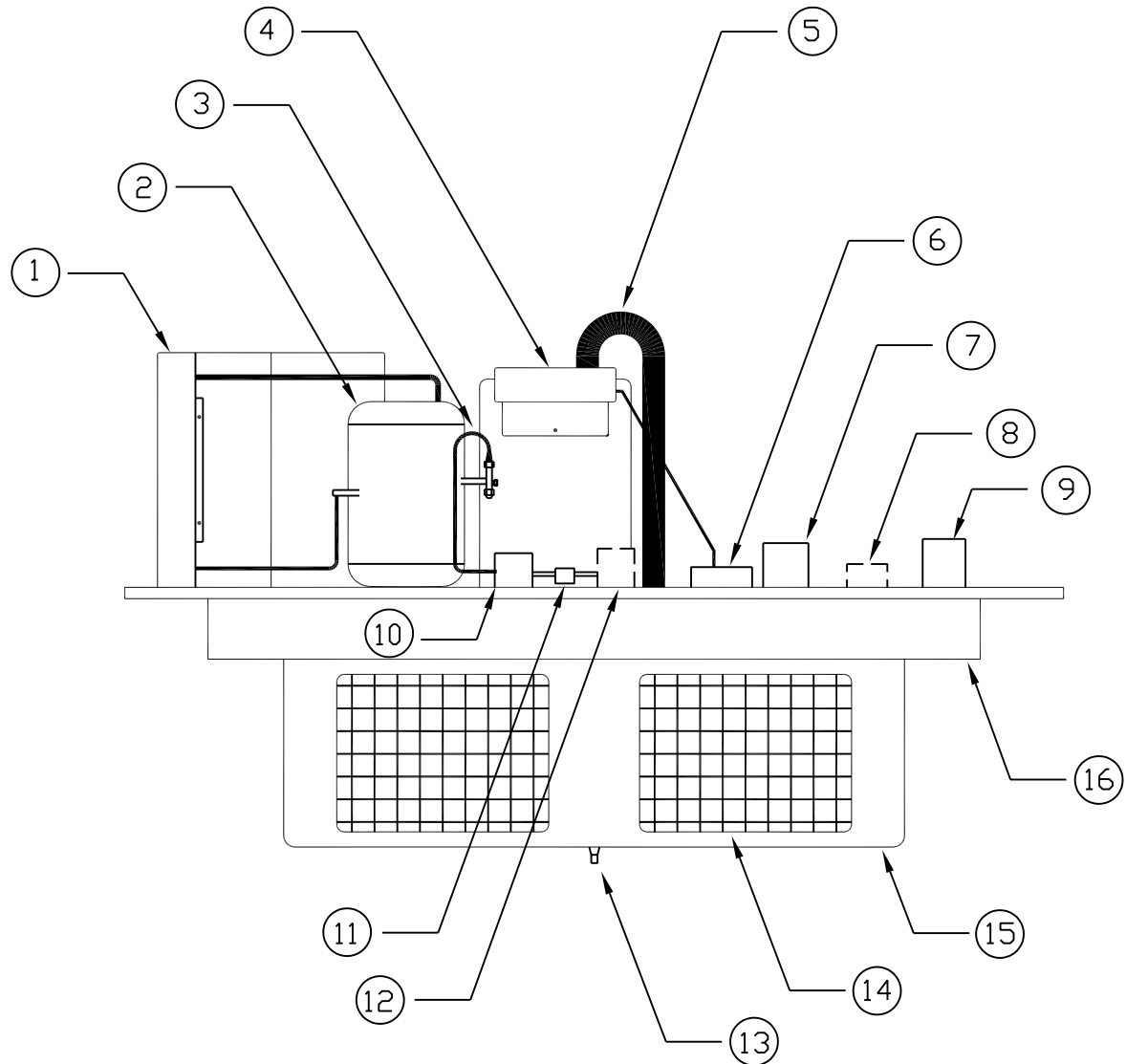
NOTE: PARTS AND LOCATIONS MAY VARY
DEPENDING ON UNIT



U.S. COOLER

401 DELAWARE ST. • QUINCY, IL 62301
TEL 217-228-2421 • 800-521-2665
FAX 217-228-2424 • www.uscooler.com

GENERAL ASSEMBLY FOR TOP MOUNT SELF-CONTAINED COOLER



PARTS LIST	
#	PART
1	CONDENSER
2	RECEIVER
3	LIQUID LINE
4	COMPRESSOR
5	SUCTION LINE
6	POWER INLET
7	PRESSURE CONTROL
8	TIMER - FRZ. ONLY
9	TEMPERATURE CONTROL
10	DRIER
11	SIGHT GLASS
12	SOLENOID VALVE-FRZ. ONLY
13	DRAIN OUTLET
14	FAN
15	EVAPORATOR
16	PLUG

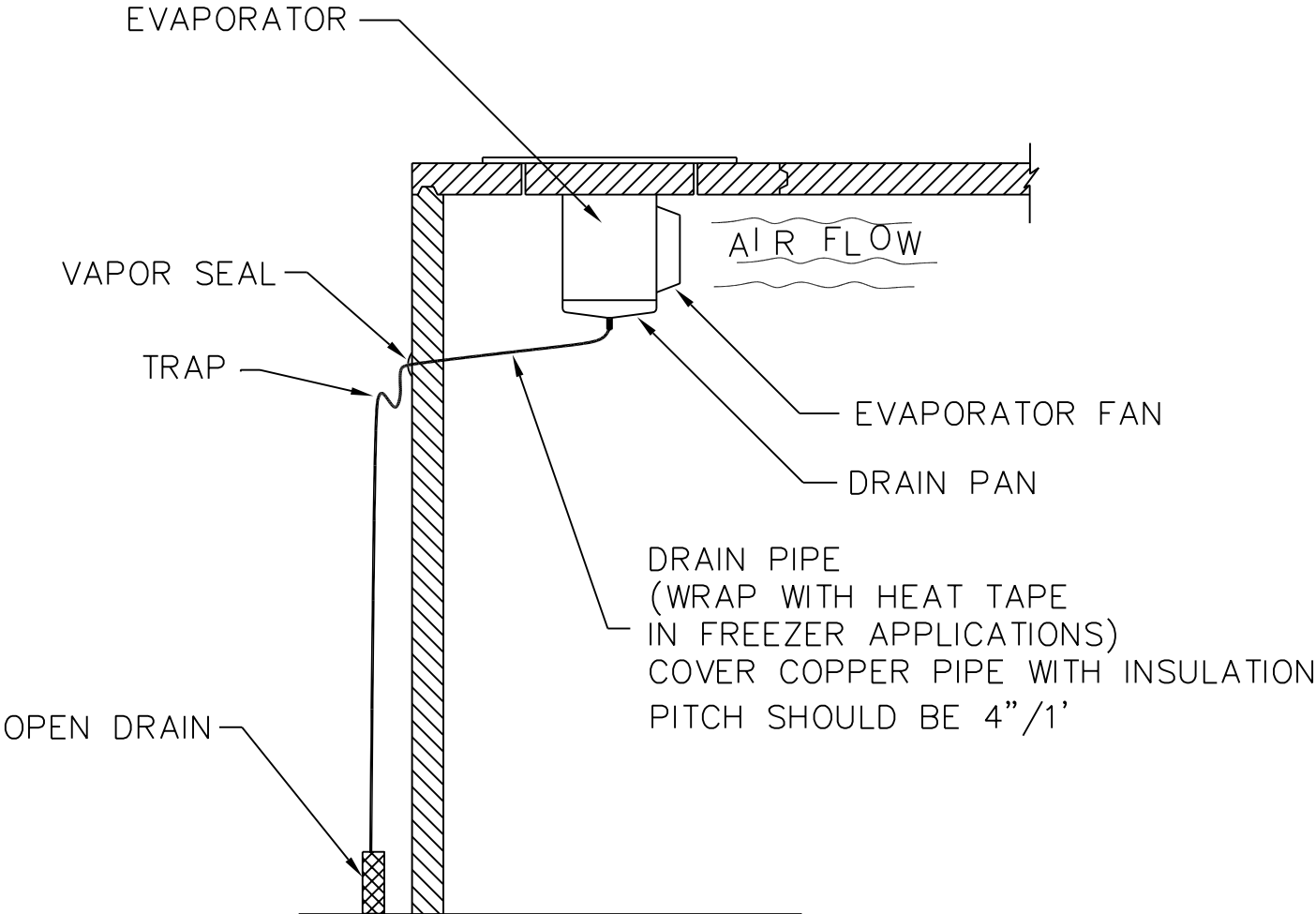
NOTE: PARTS AND LOCATIONS MAY VARY DEPENDING ON UNIT



U.S. COOLER

401 DELAWARE ST. • QUINCY, IL 62301
 TEL 217-228-2421 • 800-521-2665
 FAX 217-228-2424 • www.uscooler.com

INSTALL INSTRUCTIONS FOR EVAPORATOR DRAIN LINE
(INSTRUCTIONS APPLY TO REMOTE AND SELF CONTAIN UNITS)



NOTE: DRAIN PIPE SIZES VARY
SEE FACTORY SPECIFICATIONS

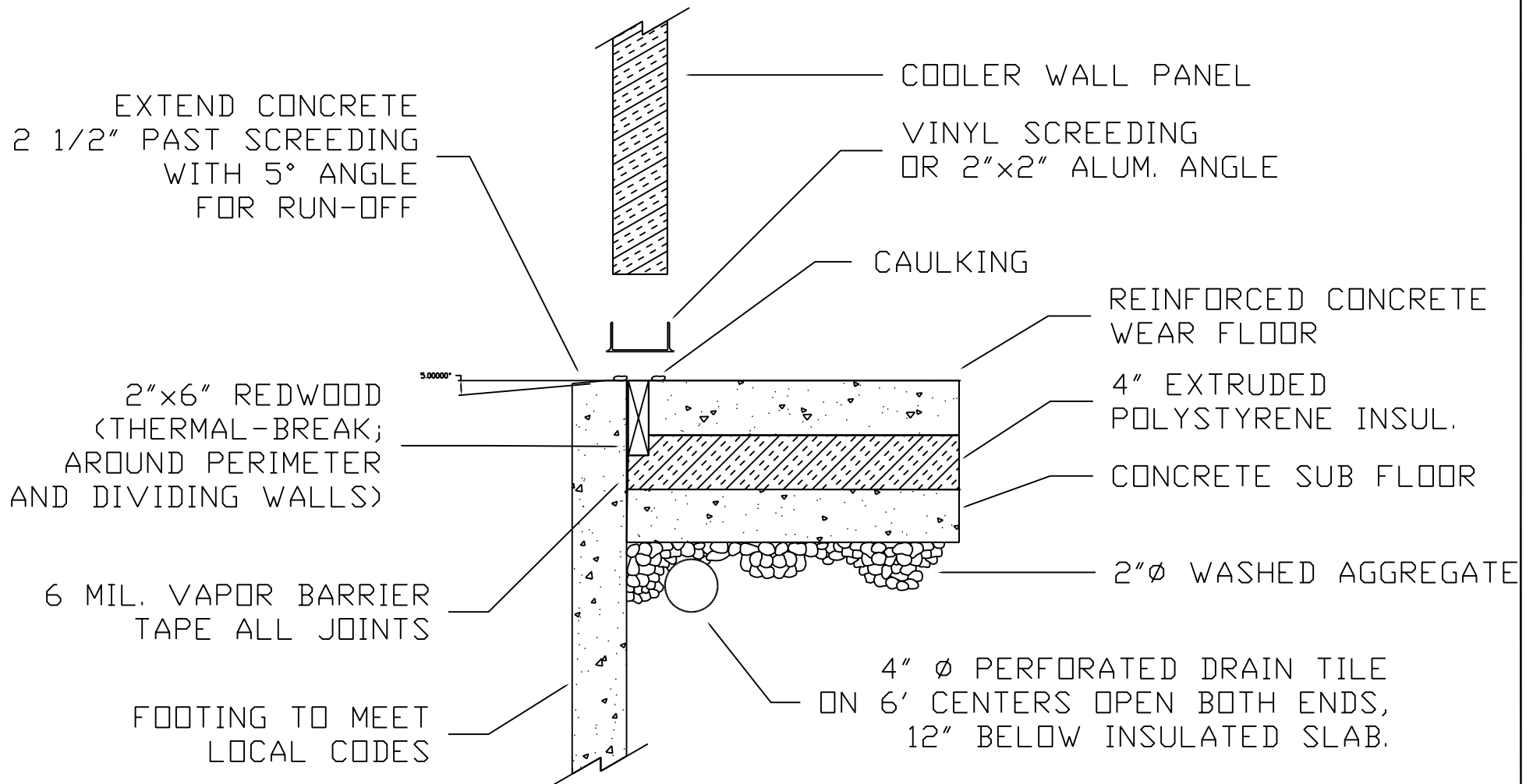


U.S. COOLER

401 DELAWARE ST. • QUINCY, IL 62301
TEL 217-228-2421 • 800-521-2665
FAX 217-228-2424 • www.uscooler.com

FOOTING DETAIL

(FLOORLESS APPLICATION)



Design used for Conceptual purposes Consult local Engineer for requirements.
Craig Industries is not responsible for foundation design. This is an example.



U.S. COOLER

401 DELAWARE ST. • QUINCY, IL 62301
TEL 217-228-2421 • 800-521-2665
FAX 217-228-2424 • www.uscooler.com