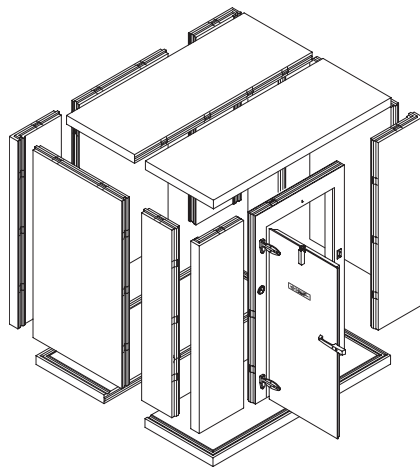




## WALK-IN COOLER AND FREEZER MANUAL



Troubleshooting

U.S. Cooler  
401 Delaware, Quincy, Illinois 62301  
800.521.2665 Fax 217.228.2424  
[www.uscooler.com](http://www.uscooler.com)



# Troubleshooting

## **Troubleshooting:**

### Ceiling overhangs walls:

If walls are racked at the top, loosen wall cams and adjust walls so the tops of the walls line up. If walls are level at the top, loosen corner wall panel and bump out wall panel to line up with outer edge of ceiling. Lock ceiling to wall and relock corner seam.

### Door doesn't shut:

Check to make sure door closer is working properly and it is catching the hook. Check to make sure walls aren't racked. See installation instructions for further door alignment information.

### Door sags:

Check to make sure the floor is level. If not, shim as needed under correct door leg.

### Ceiling panels won't pull down to lock into walls:

If walls have been locked to walk-in floor, unlock walls from the floor, lock ceiling panels down to walls and relock walls to floor.

### Cam wrench is binding in cam hole:

Only insert the wrench far enough to catch the mechanism. Make sure you are inserting the tapered end of the wrench in the hole.

### Cam lock not engaging (locking):

Make sure adjoining wall panels are flush on sides and top, so cams are lined up properly. Before locking, be sure to reset cam by turning it counter-clockwise until it resets. Do not over-reset cam. Then relock cam.

### Door thermometer reads incorrect temperature:

Door thermometer doesn't register proper temperature. Make sure that the temperature probe is toward the center of the walk-in. Door thermometer may need to be calibrated. Place index finger on wide end of pointer. Insert screwdriver in pointer's slot and turn either clockwise (lowering temperature) or counter-clockwise for raising temperature

## **Customer Service Contact Information:**

U.S. Cooler Company  
401 Delaware  
Quincy, IL 62301

Toll Free: 800.521.2665

Phone: 217.228.2421

Fax: 217.228.2424

Email: [customerservice@uscooler.com](mailto:customerservice@uscooler.com)

Company Website: [www.uscooler.com](http://www.uscooler.com)