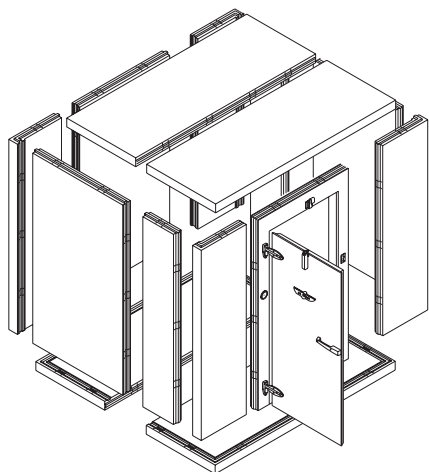




WALK-IN COOLER AND FREEZER MANUAL



Drawings

U.S. Cooler
401 Delaware, Quincy, Illinois 62301
800.521.2665 Fax 217.228.2424
www.uscooler.com



Door Drawings

STANDARD OVERLAP PLUG DOOR WITH FACE CASE FRAME

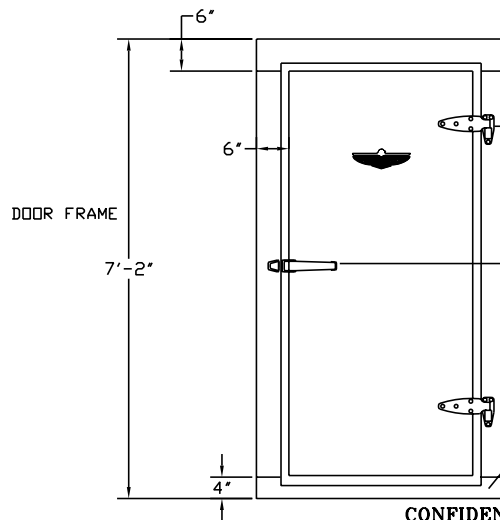
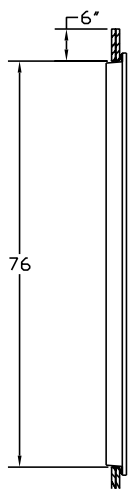
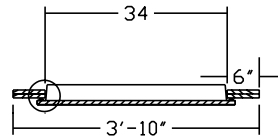
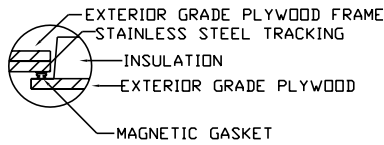
STANDARD DOOR SIZE = 34" W x 76" H
ROUGH OPENING = 34" x 76"

FINISH:
26GA. STUCCO GALVALUME STEEL,
GALVANIZED, PAINTED (WHITE OR TAN)
OR 24GA STAINLESS STEEL

INSULATION:
R-32 EXTRUDED

HINGE DIRECTION:
RIGHT OR LEFT

HEATER WIRE
INCLUDED IN FREEZER APPLICATIONS.



CAMLIFT HINGES
2 PER STANDARD
DOOR
CHROME FINISH

PLUG DOOR HANDLE
W/SAFETY RELEASE
ACCEPTS PADLOCK
CHROME FINISH

4" SILL (TRIPLE VINYL
SWEEP INCLUDED IN
FLOORLESS APPLICATION)

CONFIDENTIAL
PROPRIETARY



U.S. COOLER

401 DELAWARE ST. • QUINCY, IL 62301
TEL 217-228-2421 • 800-521-2665
FAX 217-228-2424 • www.uscooler.com

PLUG DOOR WITH FRAME

DOOR SIZE = 34" x 77"
ROUGH OPENING = 38 3/4" x 79 5/8"
DOOR THICKNESS = 3 13/16"

FINISH:
26GA. STUCCO GALVALUME STEEL,
GALVANIZED, PAINTED (WHITE OR TAN)
OR 24GA STAINLESS STEEL

INSULATION:
R-32 EXTRUDED

HINGE DIRECTION:
RIGHT

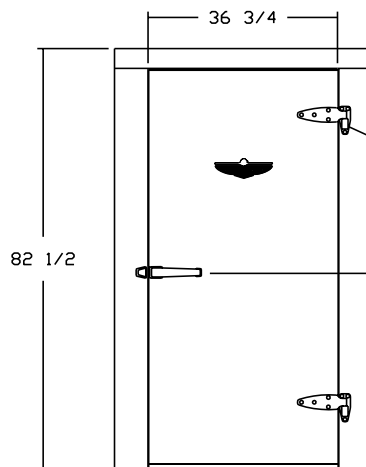
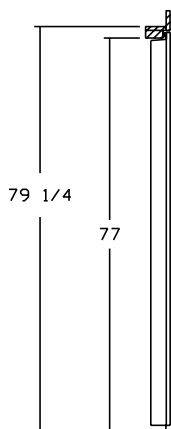
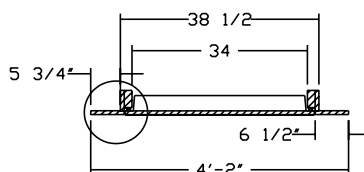
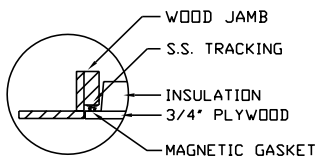
HEATER WIRE AND LAMP JUNCTION
INCLUDED IN FREEZER APPLICATIONS.

FRAME IS OVERLAP
DOOR IS FLUSH MOUNT

CAMLIFT HINGES
BRUSHED CHROME
FINISH
2 PER STANDARD
DOOR

PLUG DOOR HANDLE
W/SAFETY RELEASE
ACCEPTS PADLOCK
BRUSHED CHROME
FINISH

TRIM: 2"x2" ANGLE WITH HEMMED EDGES
(2) 81 5/8"L, (1) 42 3/4"L



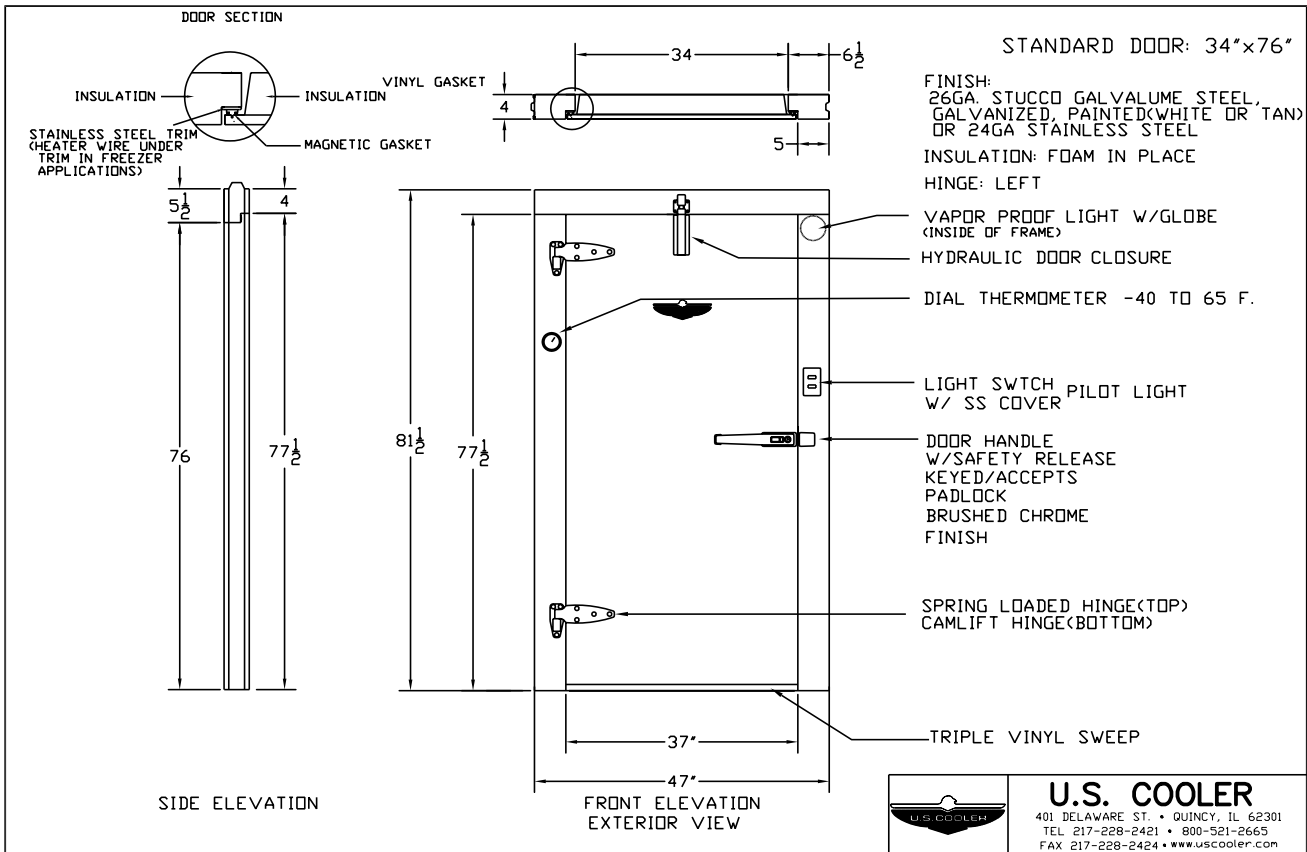
TRIPLE VINYL SWEEP



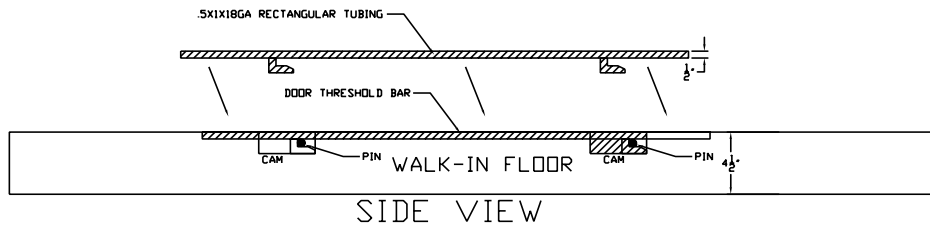
U.S. COOLER

401 DELAWARE ST. • QUINCY, IL 62301
TEL 217-228-2421 • 800-521-2665
FAX 217-228-2424 • www.uscooler.com

Door Drawings



DOOR THRESHOLD BAR INSTALLATION INSTRUCTIONS



The door threshold bar must be installed in the floor panel where the door is to be located. With the hooks pointing in the same direction as the pins on the cam-locks in the floor, place the hooks of the threshold bar into the slots of the cams. Push the bar in the direction of the pin of the cam-lock until they contact. Gently tap the locking bar until it locks into the cams or quits moving. This movement is about $1\frac{1}{2}$ ". The locking bar is now installed.

When the door is installed, screw the threshold down to the locking bar with the self-tapping screws provided in the install pack.

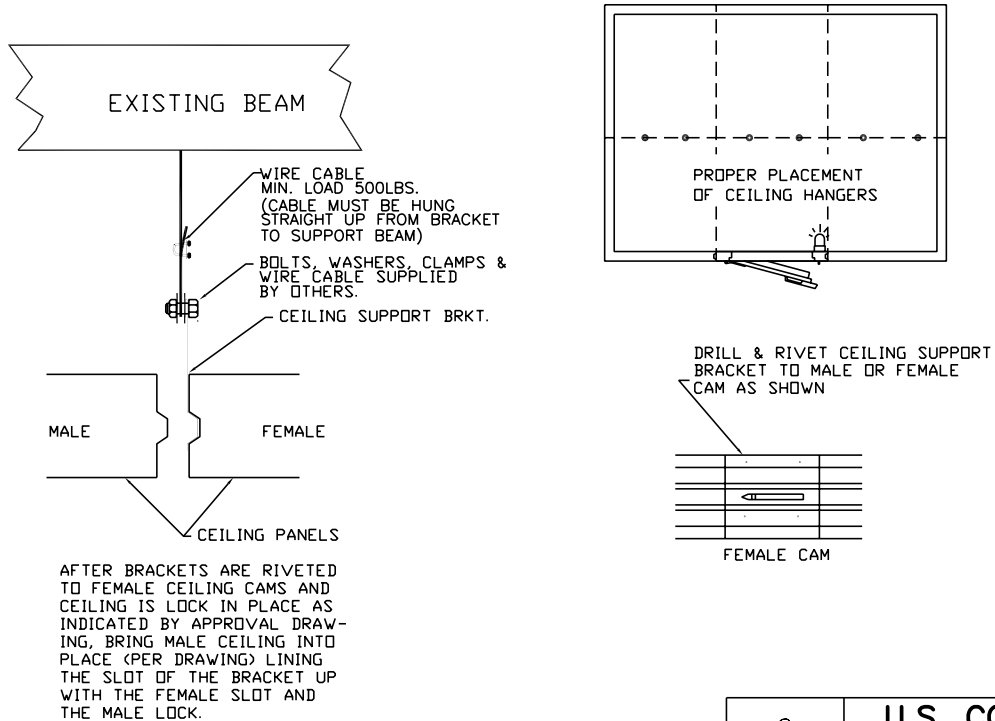


U.S. COOLER

401 DELAWARE ST. • QUINCY, IL 62301
 TEL 217-228-2421 • 800-521-2665
 FAX 217-228-2424 • www.uscooler.com

Ceiling and Footing Drawings

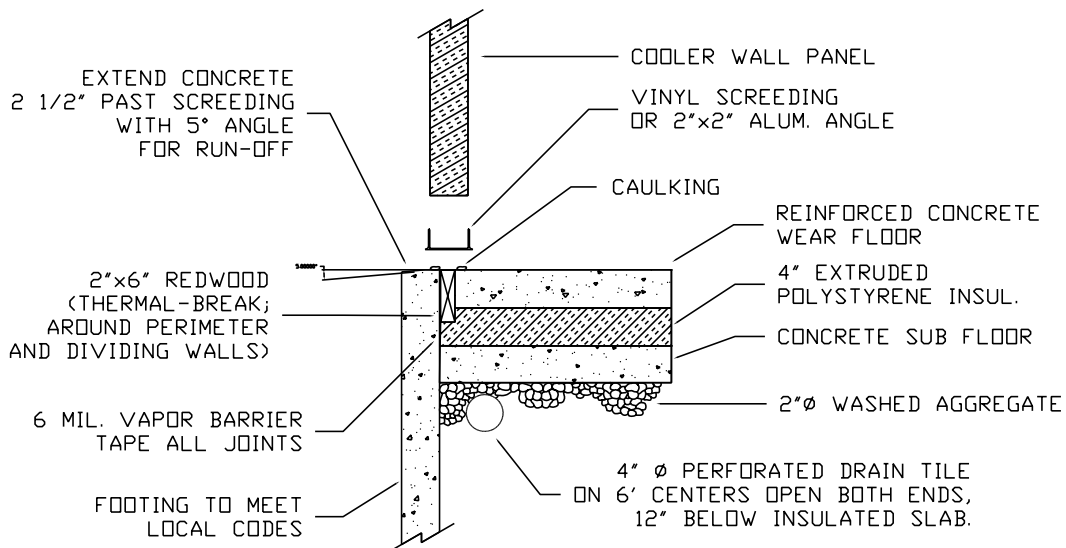
CEILING SUPPORT DETAIL



U.S. COOLER
401 DELAWARE ST. • QUINCY, IL 62301
TEL 217-228-2421 • 800-521-2665
FAX 217-228-2424 • www.uscooler.com

FOOTING DETAIL

(FLOORLESS APPLICATION)



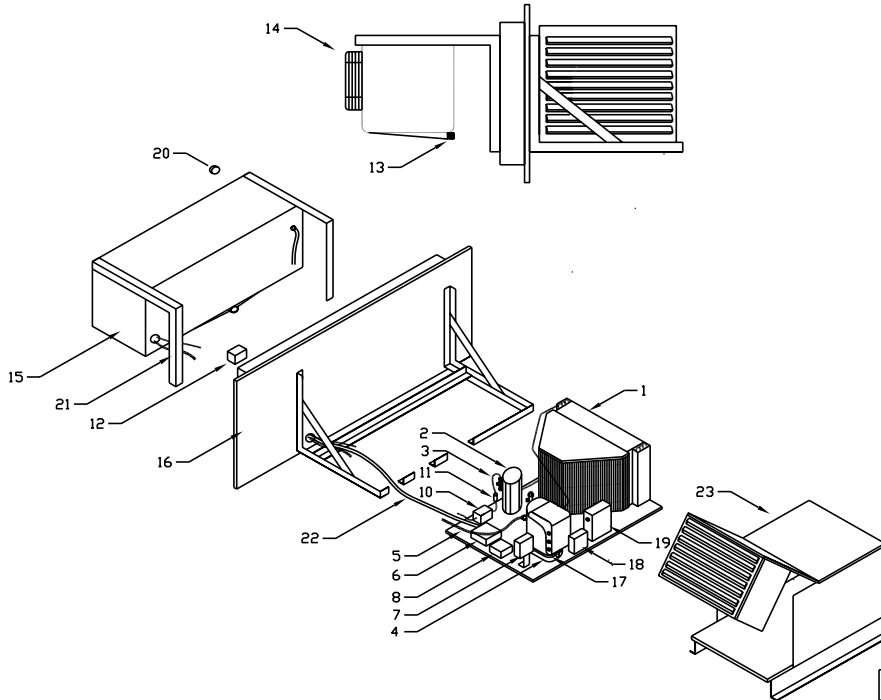
Design used for Conceptual purposes Consult local Engineer for requirements.
Craig Industries is not responsible for foundation design. This is an example.



U.S. COOLER
401 DELAWARE ST. • QUINCY, IL 62301
TEL 217-228-2421 • 800-521-2665
FAX 217-228-2424 • www.uscooler.com

Refrigeration Drawings

GENERAL ASSEMBLY FOR SIDE MOUNT SELF-CONTAINED



PARTS LIST	
#	PART
1	CONDENSOR
2	RECEIVER
3	LIQUID LINE
4	COMPRESSOR
5	SUCTION LINE
6	POWER INLET
7	PRESSURE CONTROL
8	TIMER - FRZ. ONLY
9	TEMPERATURE CONTROL
10	DRIER
11	SITE GLASS
12	SOLENOID VALVE
13	DRAIN OUTLET
14	FAN
15	EVAPORATOR
16	PLUG
17	CRANK CASE HEATER-OPTIONAL
18	FAN CYCLE CONTROL-OPTIONAL
19	START RELAY & CAPACITOR
20	THERMOSTAT
21	REFRIGERATION BRACKET
22	WIRING HARNESS
23	COMPRESSOR COVER-OPTIONAL

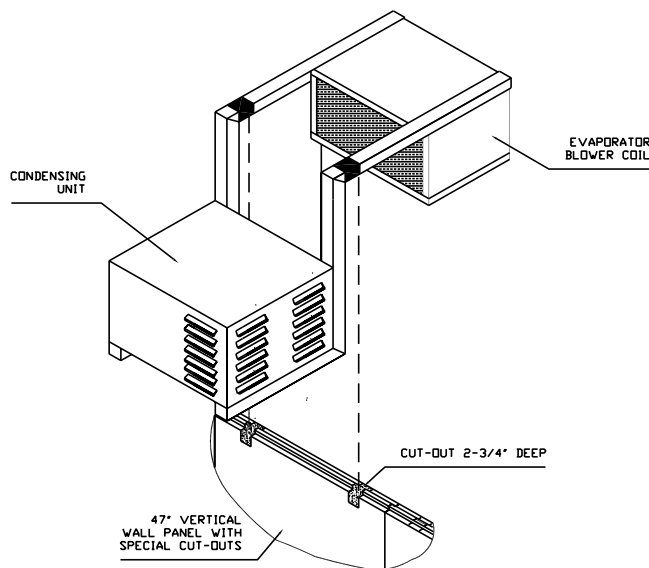
NOTE: PARTS AND LOCATIONS MAY VARY
DEPENDING ON UNIT



U.S. COOLER

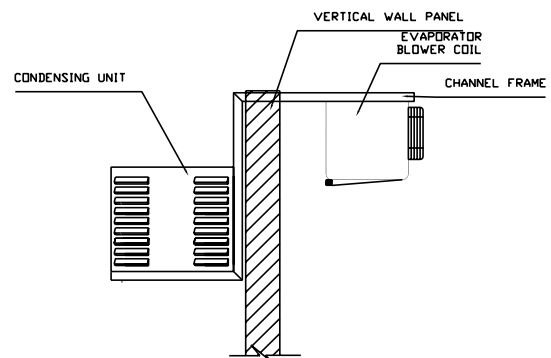
401 DELAWARE ST. • QUINCY, IL 62301
TEL 217-228-2421 • 800-521-2665
FAX 217-228-2424 • www.uscooler.com

SADDLE MOUNT SELF-CONTAINED INSTALL DRAWING



PERSPECTIVE VIEW

NOTE: 24" OF CLEARANCE FROM EXISTING WALL IS REQUIRED FOR ACCESS
ELECTRICAL JUNCTION BOX AND COMPRESSOR CONTROLS.



SECTION VIEW

FIG. 1 INSTALLING SADDLE MOUNTED SYSTEMS

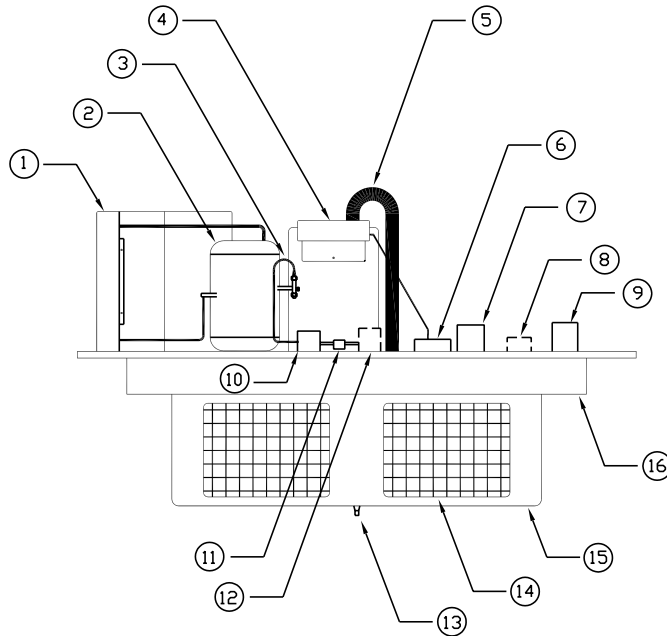


U.S. COOLER

401 DELAWARE ST. • QUINCY, IL 62301
TEL 217-228-2421 • 800-521-2665
FAX 217-228-2424 • www.uscooler.com

Refrigeration Drawings

GENERAL ASSEMBLY FOR TOP MOUNT SELF-CONTAINED COOLER



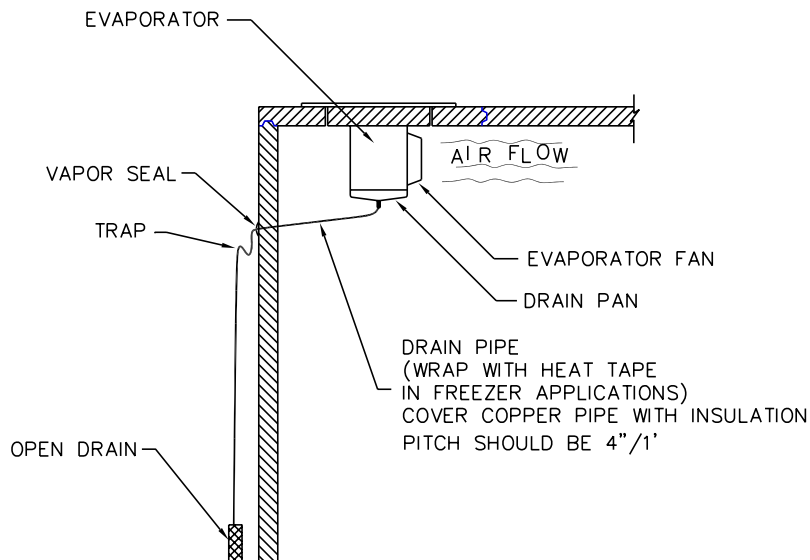
PARTS LIST	
#	PART
1	CONDENSER
2	RECEIVER
3	LIQUID LINE
4	COMPRESSOR
5	SUCTION LINE
6	POWER INLET
7	PRESSURE CONTROL
8	TIMER - FRZ. ONLY
9	TEMPERATURE CONTROL
10	DRIER
11	SIGHT GLASS
12	SOLENOID VALVE-FRZ. ONLY
13	DRAIN OUTLET
14	FAN
15	EVAPORATOR
16	PLUG

NOTE: PARTS AND LOCATIONS MAY VARY
DEPENDING ON UNIT



U.S. COOLER
401 DELAWARE ST. • QUINCY, IL 62301
TEL 217-228-2421 • 800-521-2665
FAX 217-228-2424 • www.uscooler.com

INSTALL INSTRUCTIONS FOR EVAPORATOR DRAIN LINE (INSTRUCTIONS APPLY TO REMOTE AND SELF CONTAIN UNITS)



NOTE: DRAIN PIPE SIZES VARY
SEE FACTORY SPECIFICATIONS



U.S. COOLER
401 DELAWARE ST. • QUINCY, IL 62301
TEL 217-228-2421 • 800-521-2665
FAX 217-228-2424 • www.uscooler.com

