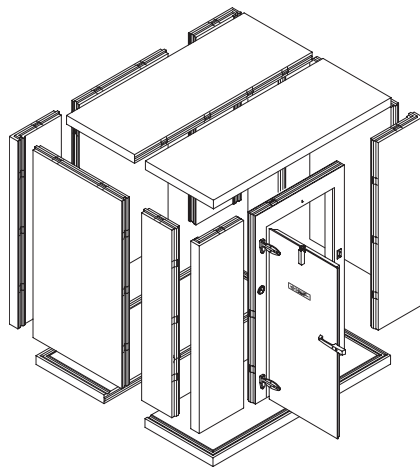




WALK-IN COOLER AND FREEZER MANUAL



Warranty

U.S. Cooler
401 Delaware, Quincy, Illinois 62301
800.521.2665 Fax 217.228.2424
www.uscooler.com



U.S. Cooler Ten Year Limited Warranty

U. S. Cooler Company, Inc. warrants to the original purchaser that the walk-in panels manufactured by the company are free from any defect in material or workmanship under conditions of normal use and service. The obligation of the manufacturer under this warranty shall be limited to repairing or replacing at their option FOB factory, panels of said walk-in which proves defective within ten years from the date of purchase. All hardware carries a standard one-year warranty.

Refrigeration equipment carries a standard one-year factory warranty for compressor and accessories. The obligation of the manufacturer under this warranty shall be limited to repairing or replacing at their option FOB factory, any part of said refrigeration system which proves defective within one year from the date of purchase. An extended four-year compressor warranty and a 1st day through 5th year labor warranty are also available as an option.

This warranty is in lieu of all other warranties expressed or implied and does not apply to equipment which has been subject to any accident, alteration, abuse, misuse or improper installation. U.S. Cooler Company, Inc. expressly disclaims all other warranties expressed or implied. The standard warranty does not include any labor charges for replacement or repair of defective parts. In no event shall U.S. Cooler Company, Inc. be liable for any special, direct or indirect, incidental or consequential damages or for any lost product, lost profits or revenues or other losses or damages caused by lost product or lost profits or revenues, whether for breach of warranty or otherwise.

For warranty work on your U. S. Cooler walk-in cooler or freezer, call our Customer Service Department immediately. You will then be advised of the proper procedure to follow. NO warranty work is to be performed without an authorization number, which will be provided by the Customer Service Manager. U.S. Cooler assumes no responsibility for work performed without an authorization number.