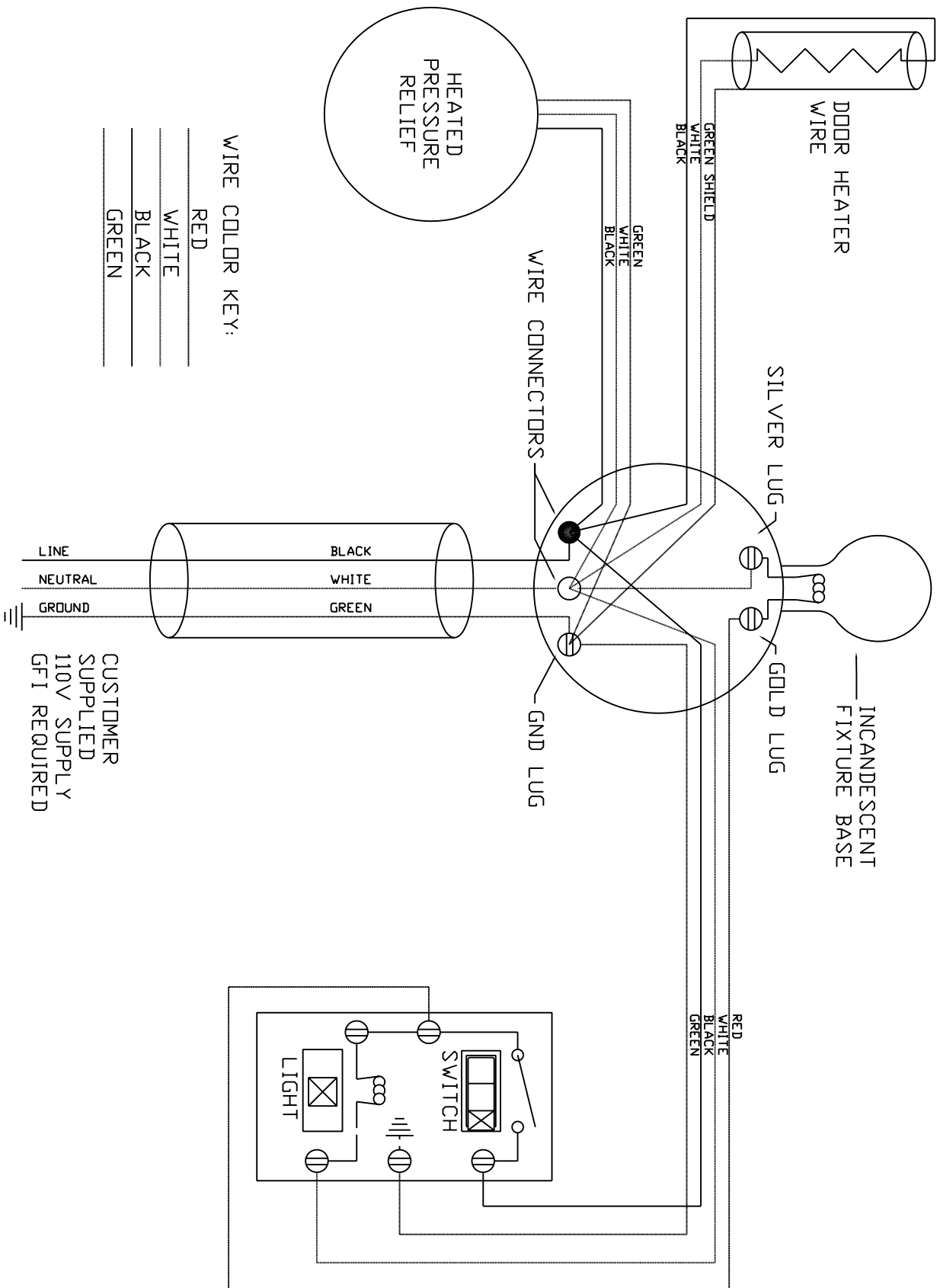


COOLER WIRING DIAGRAM



U.S. COOLER
 401 DELAWARE ST. • QUINCY, IL 62301
 TEL 217-228-2421 • 800-521-2665
 FAX 217-228-2424 • www.uscooler.com



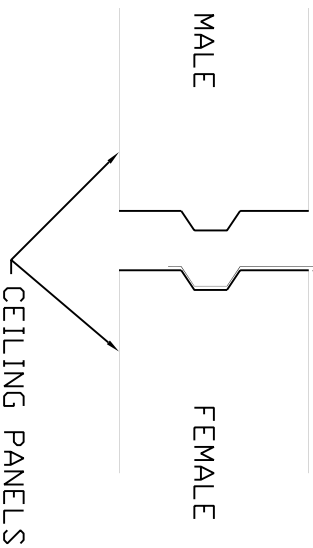
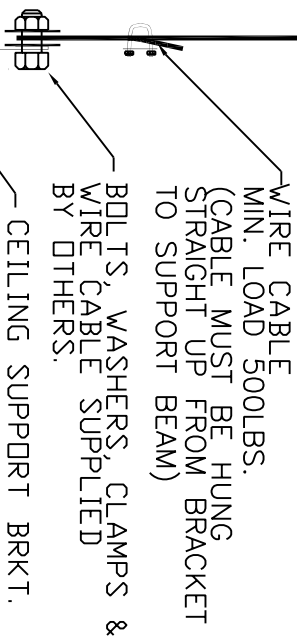
FREEZER WIRING DIAGRAM



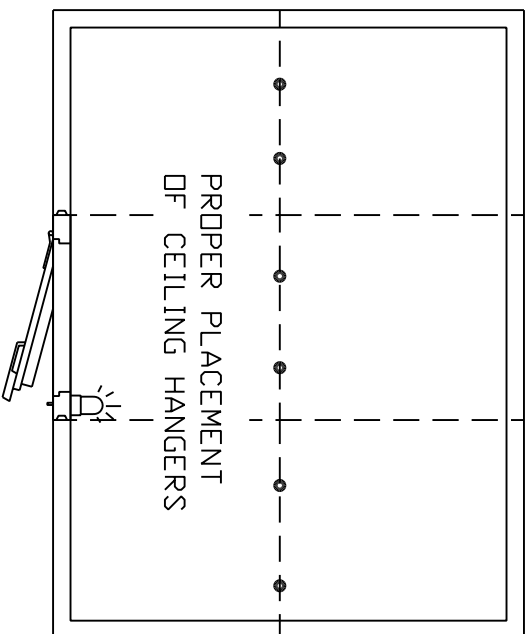
U.S. COOLER

401 DELAWARE ST. • QUINCY, IL 62301
 TEL 217-228-2421 • 800-521-2665
 FAX 217-228-2424 • www.uscooler.com

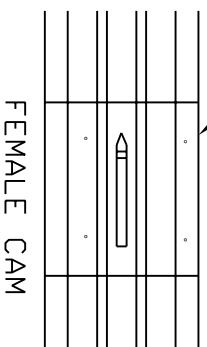
CEILING SUPPORT DETAIL



AFTER BRACKETS ARE RIVETED TO FEMALE CEILING CAMS AND CEILING IS LOCK IN PLACE AS INDICATED BY APPROVAL DRAWING, BRING MALE CEILING DRAWING INTO PLACE (PER DRAWING) Lining THE SLOT OF THE BRACKET UP WITH THE FEMALE SLOT AND THE MALE LOCK.



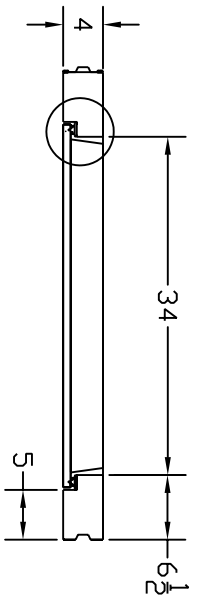
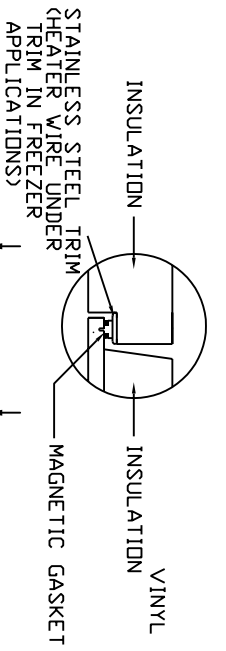
DRILL & RIVET CEILING SUPPORT BRACKET TO MALE OR FEMALE CAM AS SHOWN



U.S. COOLER

401 DELAWARE ST. • QUINCY, IL 62301
TEL 217-228-2421 • 800-521-2665
FAX 217-228-2424 • www.uscooler.com

DOOR SECTION



STANDARD DOOR: 34" x 76"

FINISH:
 26GA. STUCCO GALVALUME STEEL, TAN
 GALVANIZED, PAINTED/WHITE OR TAN
 OR 24GA STAINLESS STEEL
 INSULATION: FOAM IN PLACE
 HINGE: LEFT

VAPOR PROOF LIGHT W/GLOBE
 (INSIDE OF FRAME)

HYDRAULIC DOOR CLOSURE

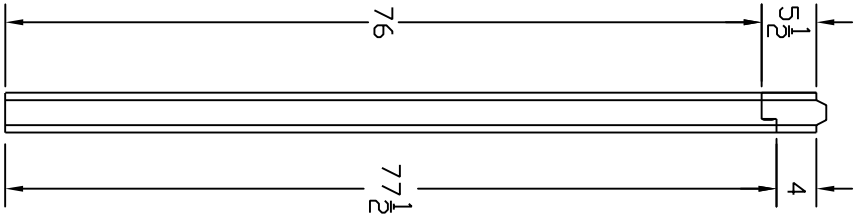
DIAL THERMOMETER -40 TO 65 F.

LIGHT SWITCH PILOT LIGHT
 W/ SS COVER

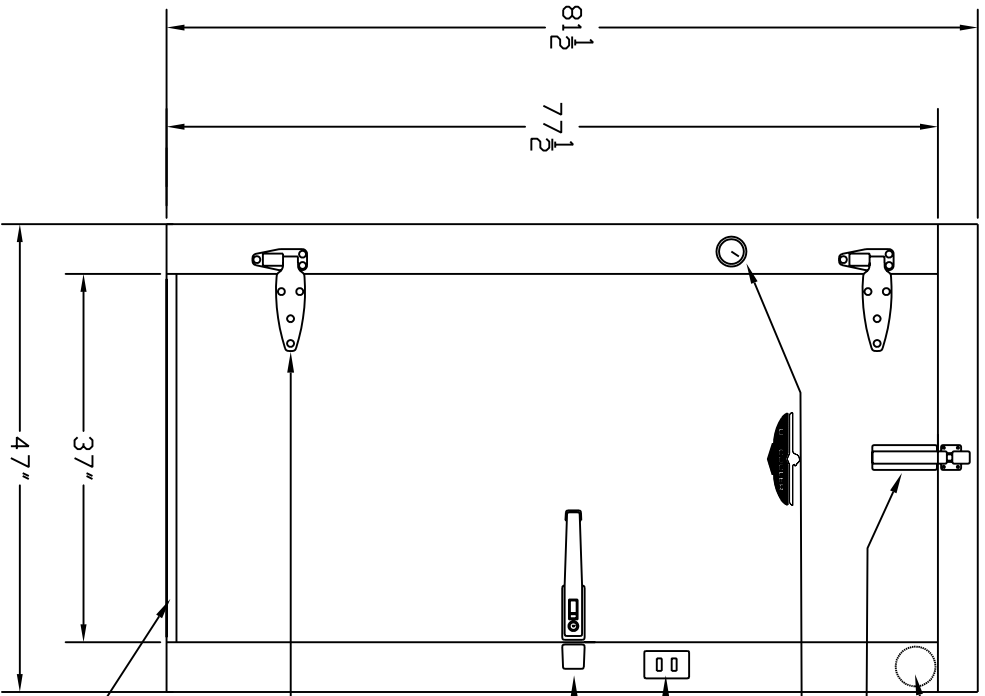
DOOR HANDLE
 W/SAFETY RELEASE
 KEYED/ACCEPTS
 PADLOCK
 BRUSHED CHROME
 FINISH

SPRING LOADED HINGE(TOP)
 CAMLIFT HINGE(BOTTOM)

TRIPLE VINYL SWEEP



SIDE ELEVATION

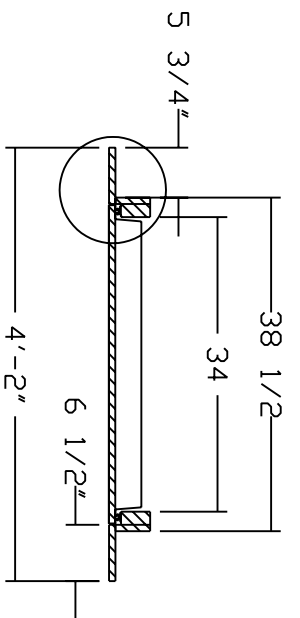
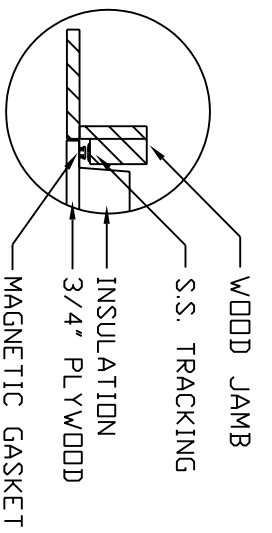


FRONT ELEVATION
 EXTERIOR VIEW



U.S. COOLER

401 DELAWARE ST. • QUINCY, IL 62301
 TEL 217-228-2421 • 800-521-2665
 FAX 217-228-2424 • www.uscooler.com



**PLUG DOOR
WITH FRAME**

DOOR SIZE = 34" x 77"

ROUGH OPENING = 38 3/4" x 79 5/8"

DOOR THICKNESS = 3 13/16"

FINISH:

26GA. STUCCO GALVALUME STEEL,
GALVANIZED, PAINTED(WHITE OR TAN)
OR 24GA STAINLESS STEEL

INSULATION:

R-32 EXTRUDED

HINGE DIRECTION:

RIGHT

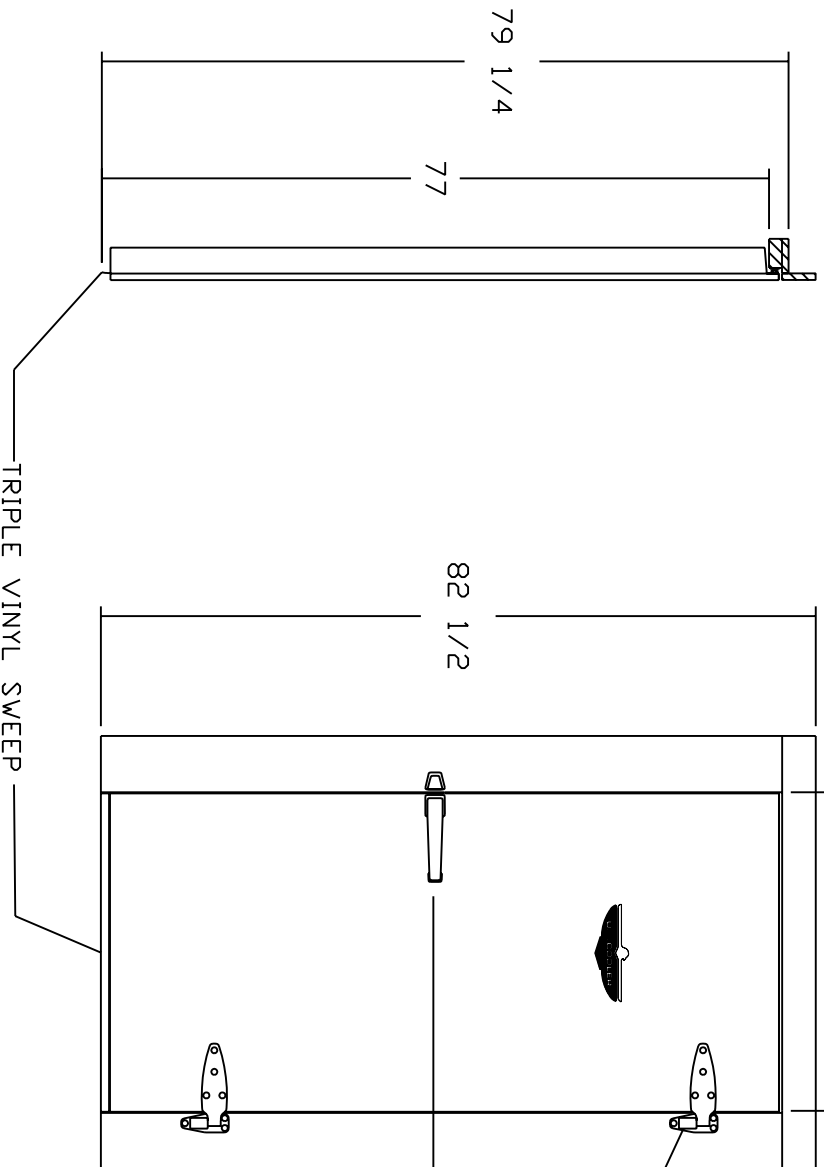
HEATER WIRE AND LAMP JUNCTION
INCLUDED IN FREEZER APPLICATIONS.

FRAME IS OVERLAP
DOOR IS FLUSH MOUNT

CAMLIFT HINGES
BRUSHED CHROME
FINISH
2 PER STANDARD
DOOR

PLUG DOOR HANDLE
W/SAFETY RELEASE
ACCEPTS PADLOCK
BRUSHED CHROME
FINISH

TRIM: 2"x2" ANGLE WITH HEMMED EDGES
(2) 81 5/8"L, (1) 42 3/4"L



U.S. COOLER

401 DELAWARE ST. • QUINCY, IL 62301
TEL 217-228-2421 • 800-521-2665
FAX 217-228-2424 • www.uscooler.com

STANDARD OVERLAP PLUG DOOR WITH FACE CASE FRAME

STANDARD DOOR SIZE = 34"W x 76"H
ROUGH OPENING = 34" x 76"

FINISH:
26GA. STUCCO GALVALUME STEEL,
GALVANIZED, PAINTED (WHITE OR TAN)
OR 24GA STAINLESS STEEL

INSULATION:
R-32 EXTRUDED

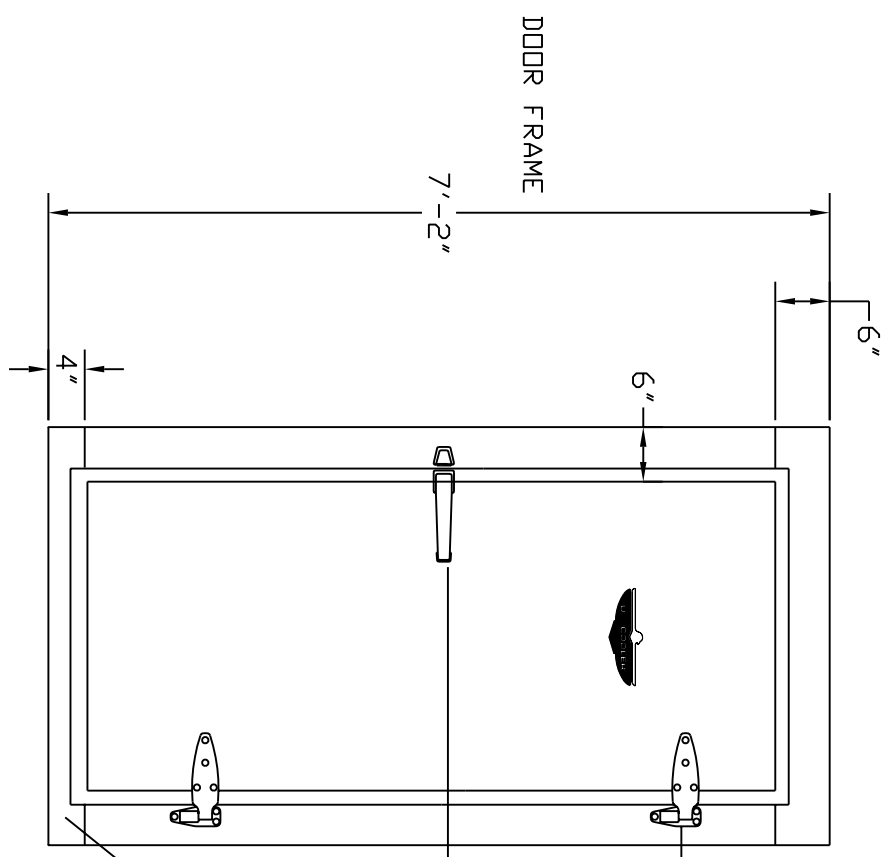
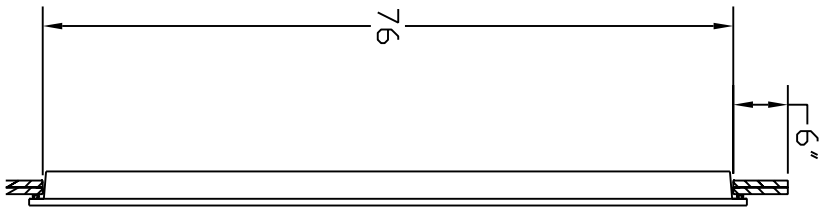
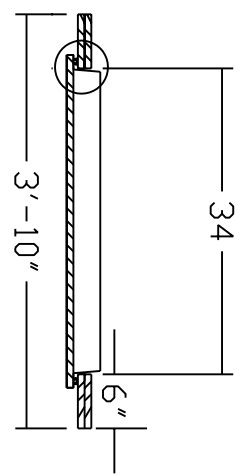
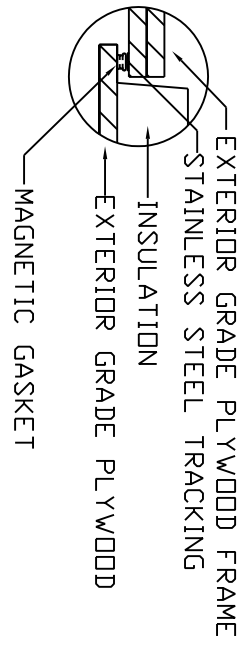
HINGE DIRECTION:
RIGHT OR LEFT

HEATER WIRE
INCLUDED IN FREEZER APPLICATIONS.

CAM LIFT HINGES
2 PER STANDARD
DOOR
CHROME FINISH

PLUG DOOR HANDLE
W/SAFETY RELEASE
ACCEPTS PADLOCK
CHROME FINISH

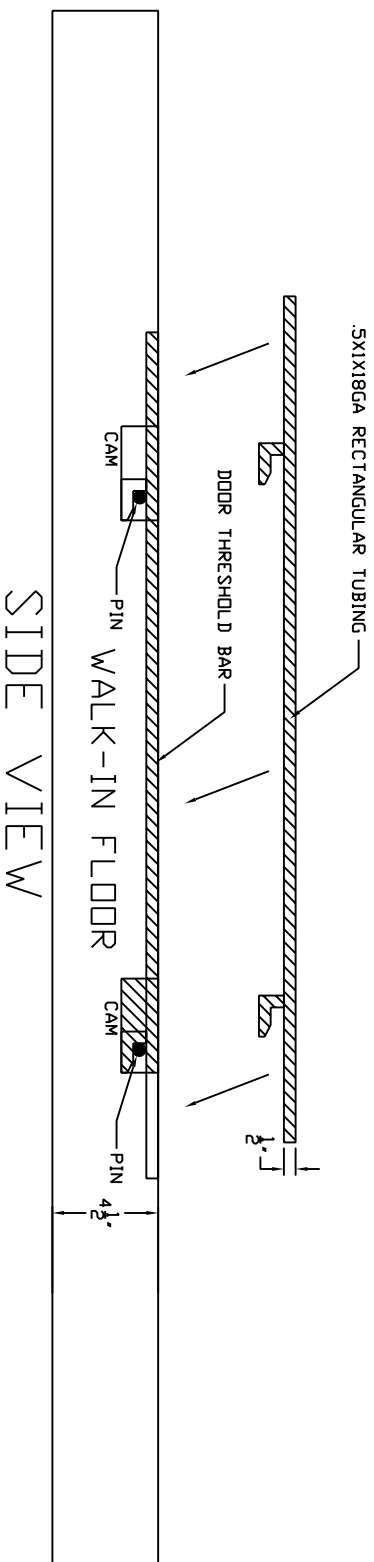
4" SILL (TRIPLE VINYL
SWEEP INCLUDED IN
FLOORLESS APPLICATION)



U.S. COOLER

401 DELAWARE ST. • QUINCY, IL 62301
TEL 217-228-2421 • 800-521-2665
FAX 217-228-2424 • www.uscooler.com

DOOR THRESHOLD BAR INSTALLATION INSTRUCTIONS



The door threshold bar must be installed in the floor panel where the door is to be located. With the hooks pointing in the same direction as the pins on the cam-locks in the floor, place the hooks of the threshold bar into the slots of the cams. Push the bar in the direction of the pin of the cam-lock until they contact. Gently tap the locking bar until it locks into the cams or quits moving. This movement is about $1\frac{1}{2}''$. The locking bar is now installed.

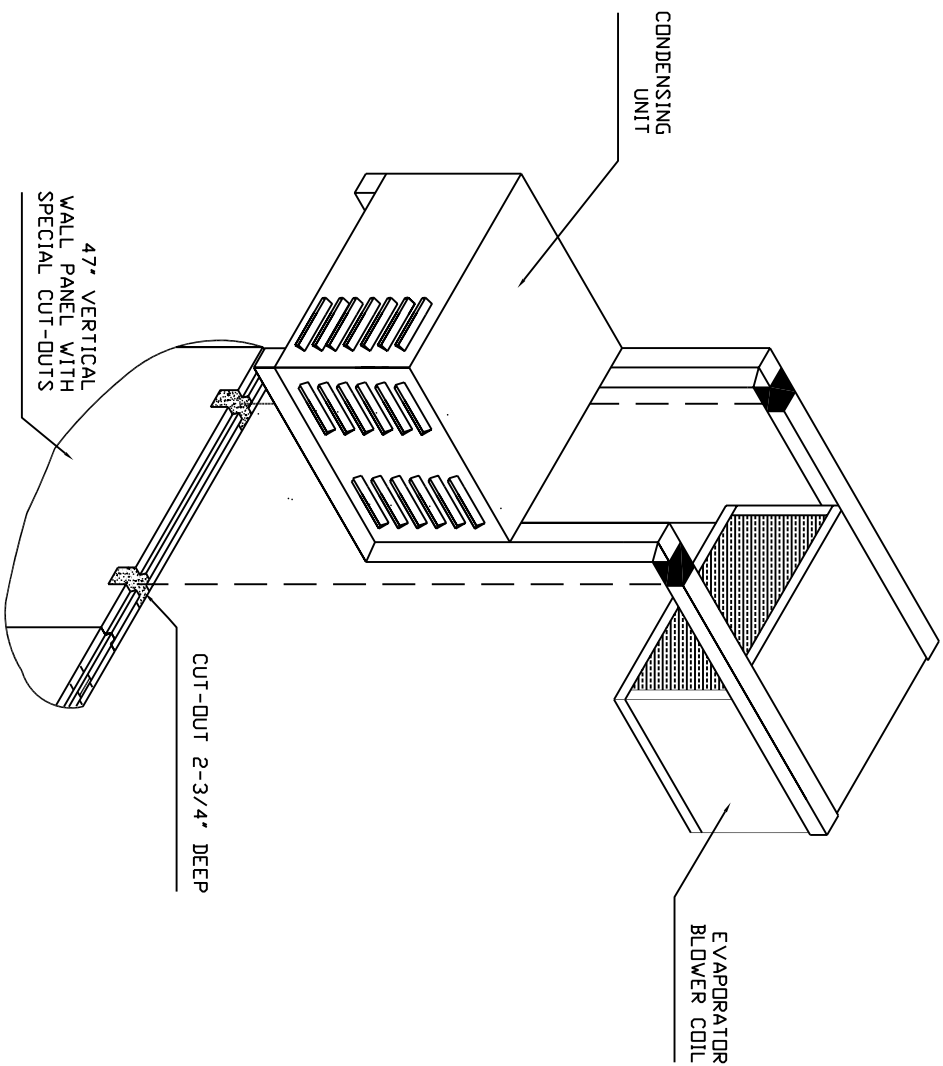
When the door is installed, screw the threshold down to the locking bar with the self-tapping screws provided in the install pack.



U.S. COOLER

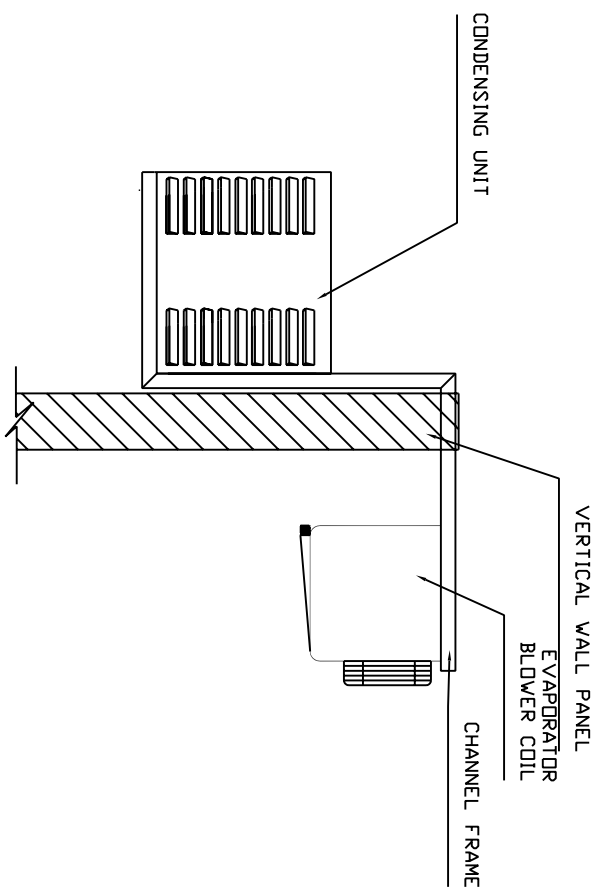
401 DELAWARE ST. • QUINCY, IL 62301
TEL 217-228-2421 • 800-521-2665
FAX 217-228-2424 • www.uscooler.com

SADDLE MOUNT SELF-CONTAINED INSTALL DRAWING



PERSPECTIVE VIEW

NOTE: 24" OF CLEARANCE FROM EXISTING WALL IS REQUIRED FOR ACCESS ELECTRICAL JUNCTION BOX AND COMPRESSOR CONTROLS.



SECTION VIEW

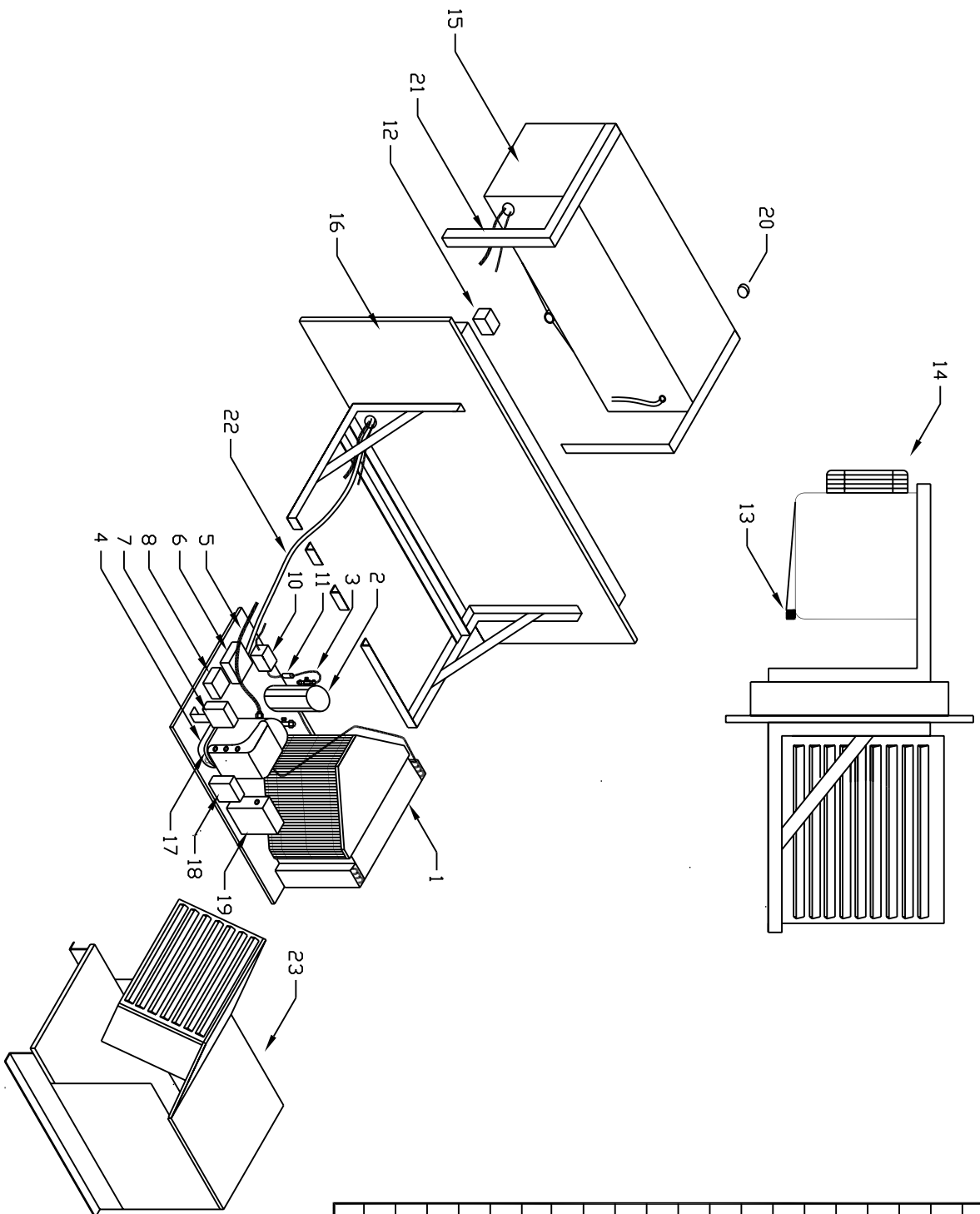
FIG. 1 INSTALLING SADDLE MOUNTED SYSTEMS



U.S. COOLER

401 DELAWARE ST. • QUINCY, IL 62301
 TEL 217-228-2421 • 800-521-2665
 FAX 217-228-2424 • www.uscooler.com

GENERAL ASSEMBLY FOR SIDE MOUNT SELF-CONTAINED



NOTE: PARTS AND LOCATIONS MAY VARY
DEPENDING ON UNIT

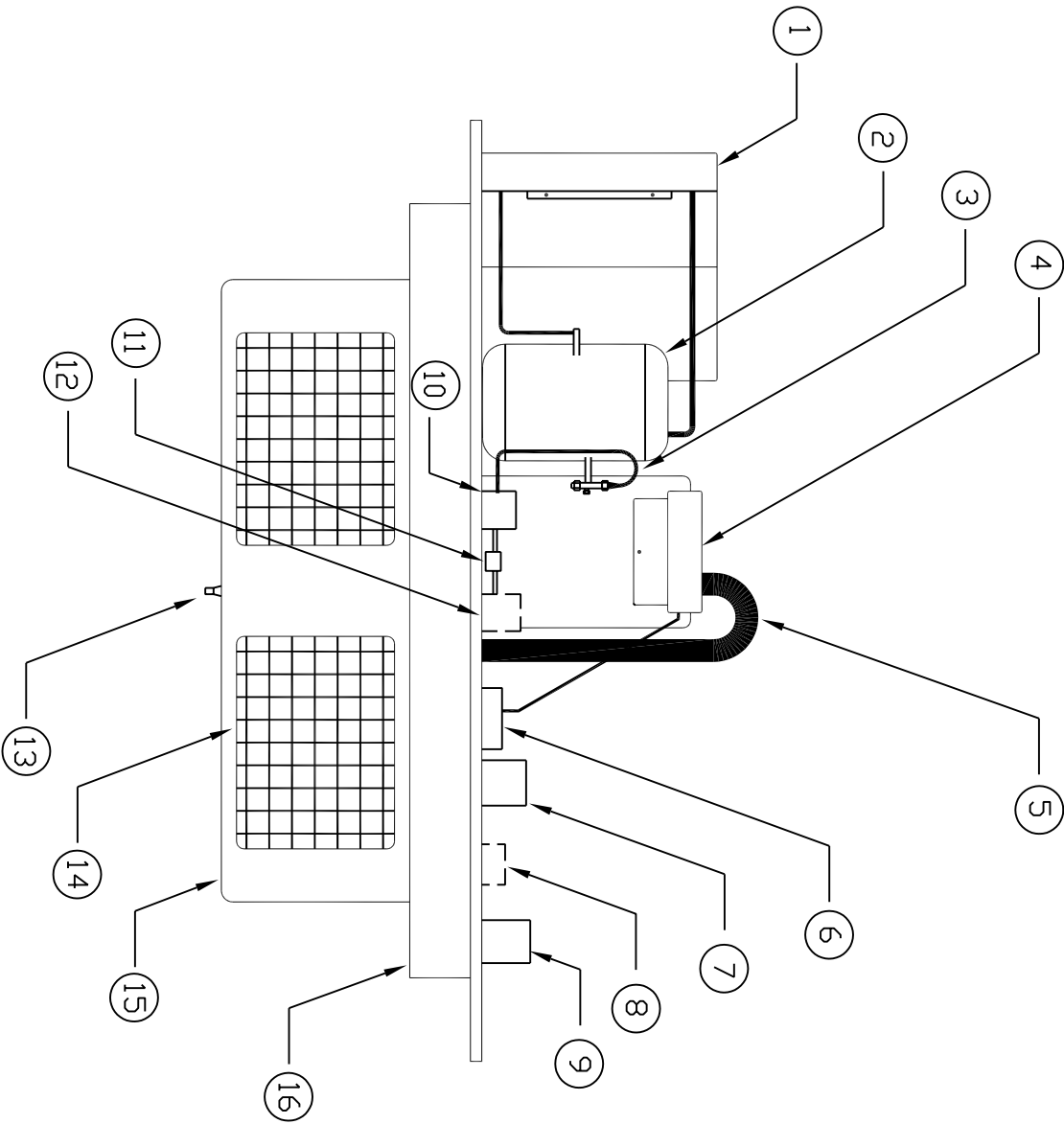
PARTS LIST	
#	PART
1	CONDENSOR
2	RECEIVER
3	LIQUID LINE
4	COMPRESSOR
5	SUCTION LINE
6	POWER INLET
7	PRESSURE CONTROL
8	TIMER - FRZ. ONLY
9	TEMPERATURE CONTROL
10	DRIER
11	SITE GLASS
12	SOLENOID VALVE
13	DRAIN OUTLET
14	FAN
15	EVAPORATOR
16	PLUG
17	CRANK CASE HEATER-OPTIONAL
18	FAN CYCLE CONTROL-OPTIONAL
19	START RELAY & CAPACITOR
20	THERMOSTAT
21	REFRIGERATION BRACKET
22	WIRING HARNESS
23	COMPRESSOR COVER-OPTIONAL



U.S. COOLER

401 DELAWARE ST. • QUINCY, IL 62301
TEL 217-228-2421 • 800-521-2665
FAX 217-228-2424 • www.uscooler.com

GENERAL ASSEMBLY FOR TOP MOUNT SELF-CONTAINED COOLER



NOTE: PARTS AND LOCATIONS MAY VARY
DEPENDING ON UNIT

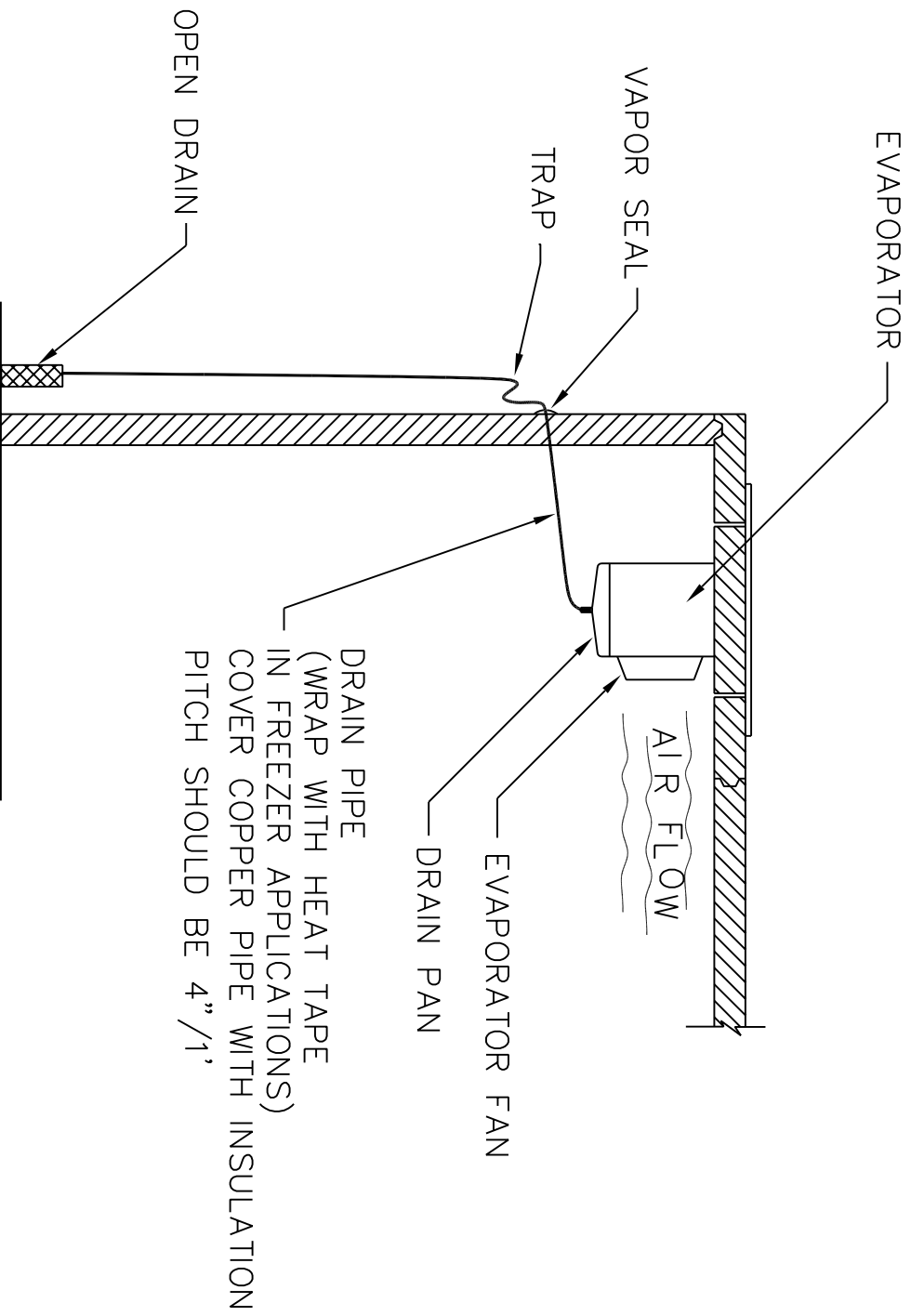
PARTS LIST	
#	PART
1	CONDENSER
2	RECEIVER
3	LIQUID LINE
4	COMPRESSOR
5	SUCTION LINE
6	POWER INLET
7	PRESSURE CONTROL
8	TIMER - FRZ. ONLY
9	TEMPERATURE CONTROL
10	DRIER
11	SIGHT GLASS
12	SOLENOID VALVE-FRZ. ONLY
13	DRAIN OUTLET
14	FAN
15	EVAPORATOR
16	PLUG



U.S. COOLER

401 DELAWARE ST. • QUINCY, IL 62301
TEL 217-228-2421 • 800-521-2665
FAX 217-228-2424 • www.uscooler.com

INSTALL INSTRUCTIONS FOR EVAPORATOR DRAIN LINE
(INSTRUCTIONS APPLY TO REMOTE AND SELF CONTAIN UNITS)



NOTE: DRAIN PIPE SIZES VARY
SEE FACTORY SPECIFICATIONS

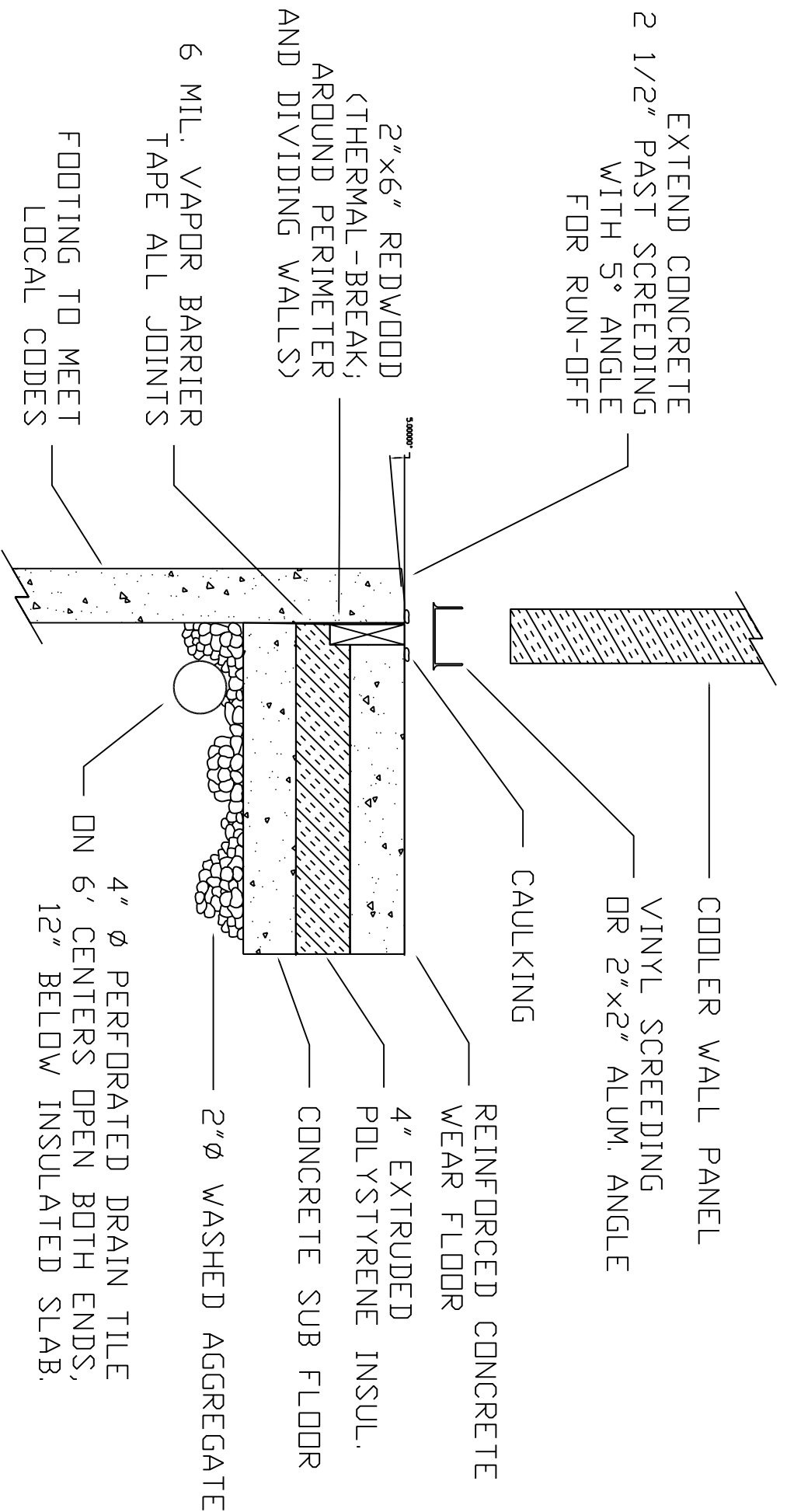


U.S. COOLER

401 DELAWARE ST. • QUINCY, IL 62301
TEL 217-228-2421 • 800-521-2665
FAX 217-228-2424 • www.uscooler.com

FOOTING DETAIL

(FLOORLESS APPLICATION)



Design used for conceptual purposes Consult local Engineer for requirements.
Craig Industries is not responsible for foundation design. This is an example.



U.S. COOLER

401 DELAWARE ST. • QUINCY, IL 62301
TEL 217-228-2421 • 800-521-2665
FAX 217-228-2424 • www.uscooler.com